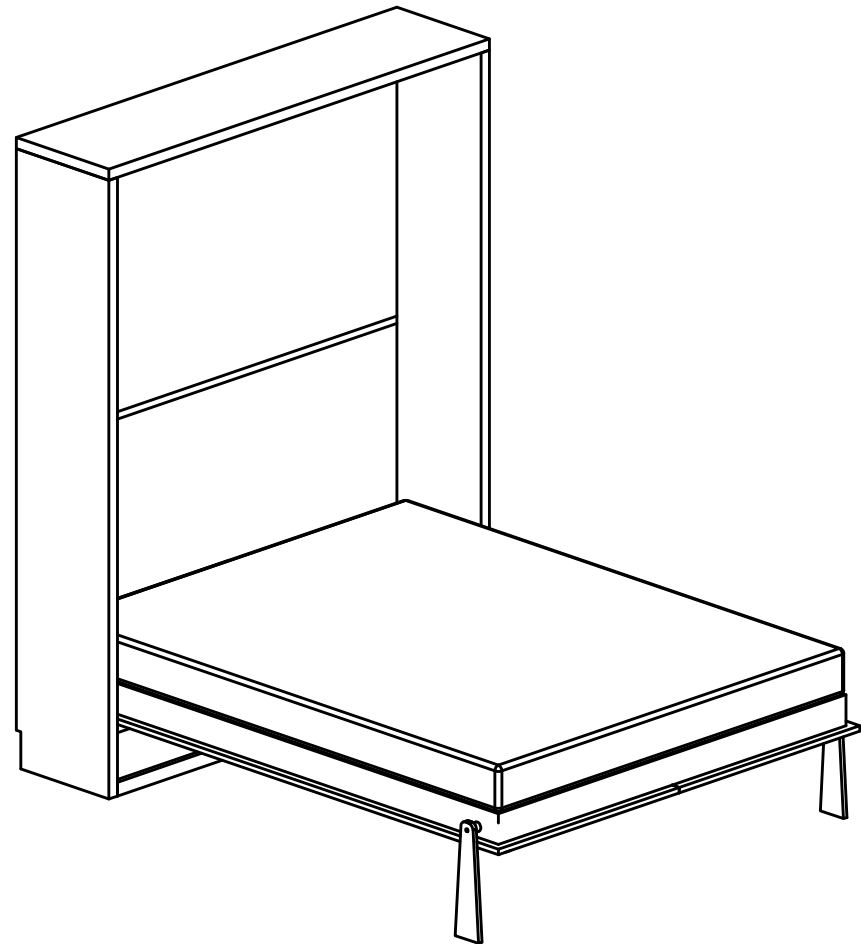
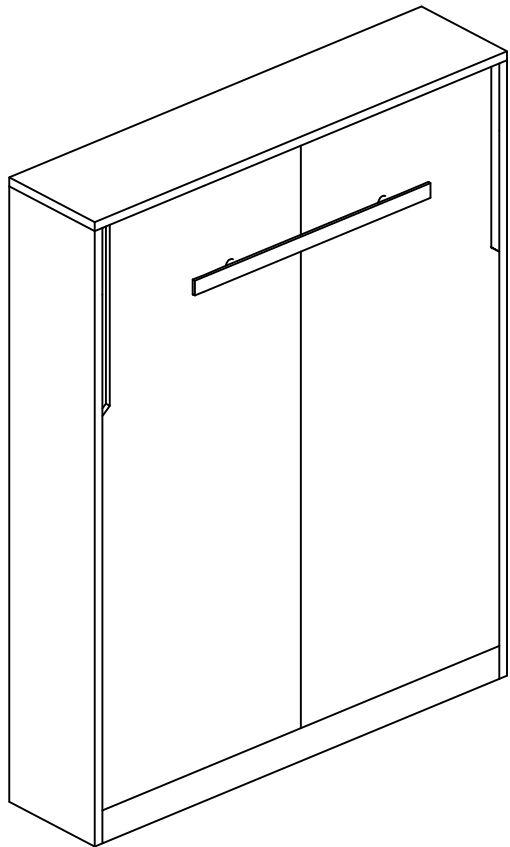




**FAIRDEAL.NO**  
**SMART FURNITURE**

## FD05-120/A5000-12 Installation Instructions

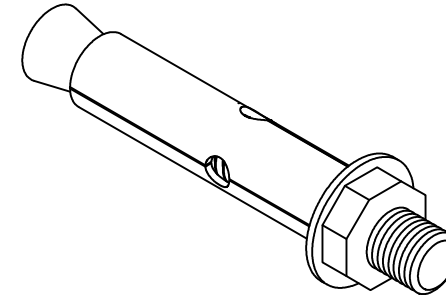


# Installation instructions:

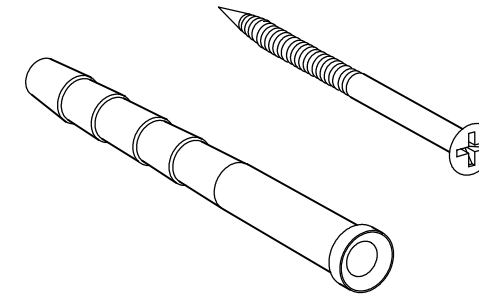
1. Please employ professional furniture installation person to install, Please read the installation drawings carefully before installation.
2. First determine the type of wall before installation, according to the different wall to adopt the corresponding installation method;If the wall can not bear the installation safety requirements of this product, it is suggested that it should not be installed and used.
3. The installation process must be operated in accordance with the steps shown in the drawings, pay attention to the installation of safe operation.
4. If you encounter special problems,, please call the company service phone.

# Different walls that need to be used fixed screws :

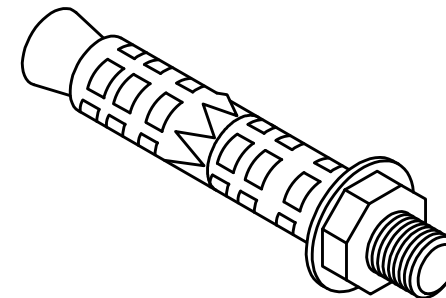
1. Heavy brick (red brick): use explosion-proof screws, use punch a hole with a percussion drill.



2. Lightweight brick (gray brick): use plastic expansion screws, use electric hand drill to drill holes.

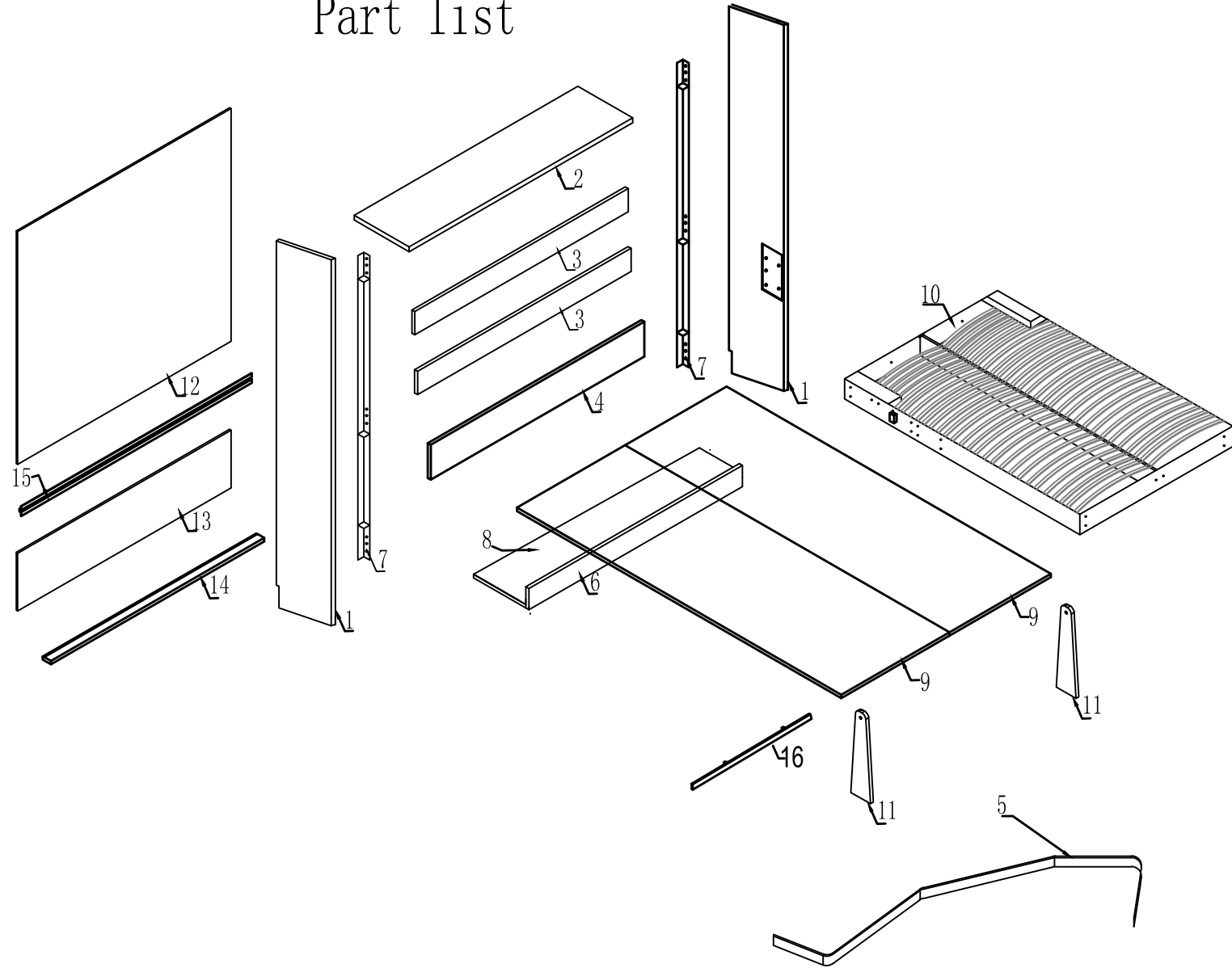


3. Lightweight brick: the use of special expansion screws, use electric hand drill to drill holes.




NO.	Part name	QTY
1	Side panel	2
2	Top panel	1
3	Back brace panel 1	2
4	Back brace panel 2	1
5	bandage	2
6	Skirting line	1
7	Back angle iron	2
8	Bottom panel	1
9	Door panel	2
10	Bedstead	1
11	Leg	1
12	Back panel 1	1
13	Back panel 2	1
14	transverse baffle plate	1
15	Aluminum trim	1
16	Handle	1

# Part list



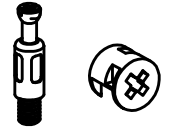
# Accessories list

Ax6 pcs



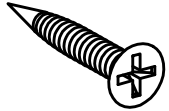
M8\*70  
Expansion  
Screw

Bx4 pcs



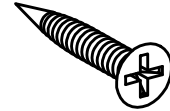
Three in one

Cx78 pcs




ST4\*16

Dx4 pcs



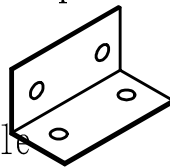
ST5\*60

Ex4 pcs



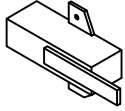
Wood Tip  
Ø12x40

Fx4 pcs




Angle  
Connectors

Gx2 pcs



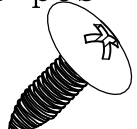
Positioner

Hx10 pcs




M8\*20  
Hex head screw

Jx28 pcs



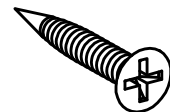
M6\*16  
Round head self  
tapping

Kx2 pcs



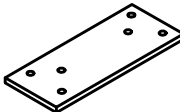
M8\*35  
Hex head screw

Lx34 pcs



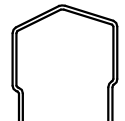
ST4\*20

Mx3 pcs



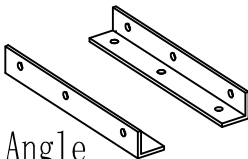
Level Connectors

Nx2 pcs




Mattress  
protection

Ox2 pcs



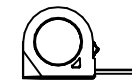
Angle  
iron

Zx2 pcs

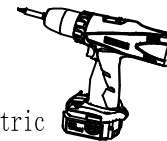


Limit iron

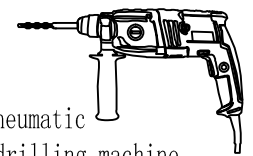
# Tool



Ruler



Electric  
drilling machine



Pneumatic  
drilling machine



" - " shape  
screw driver

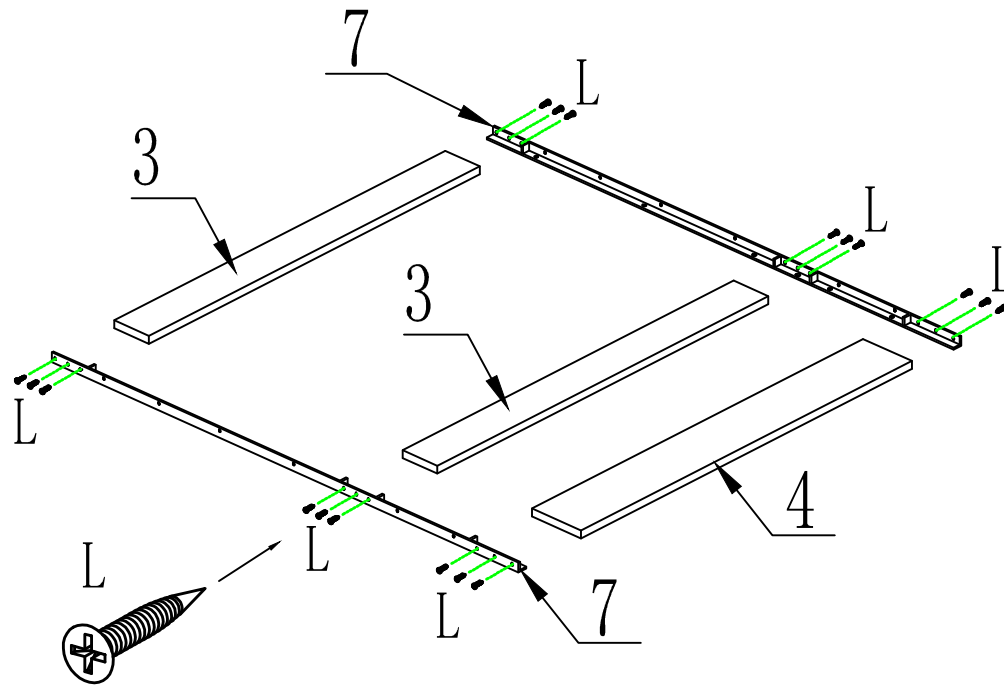


Adjustable wrench



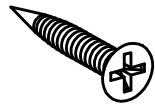
Hammer

# 1



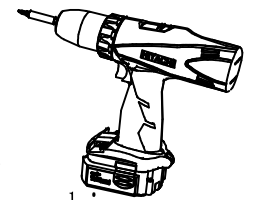
The biggest board part 4 is to be installed at the bottom

Lx18 pcs



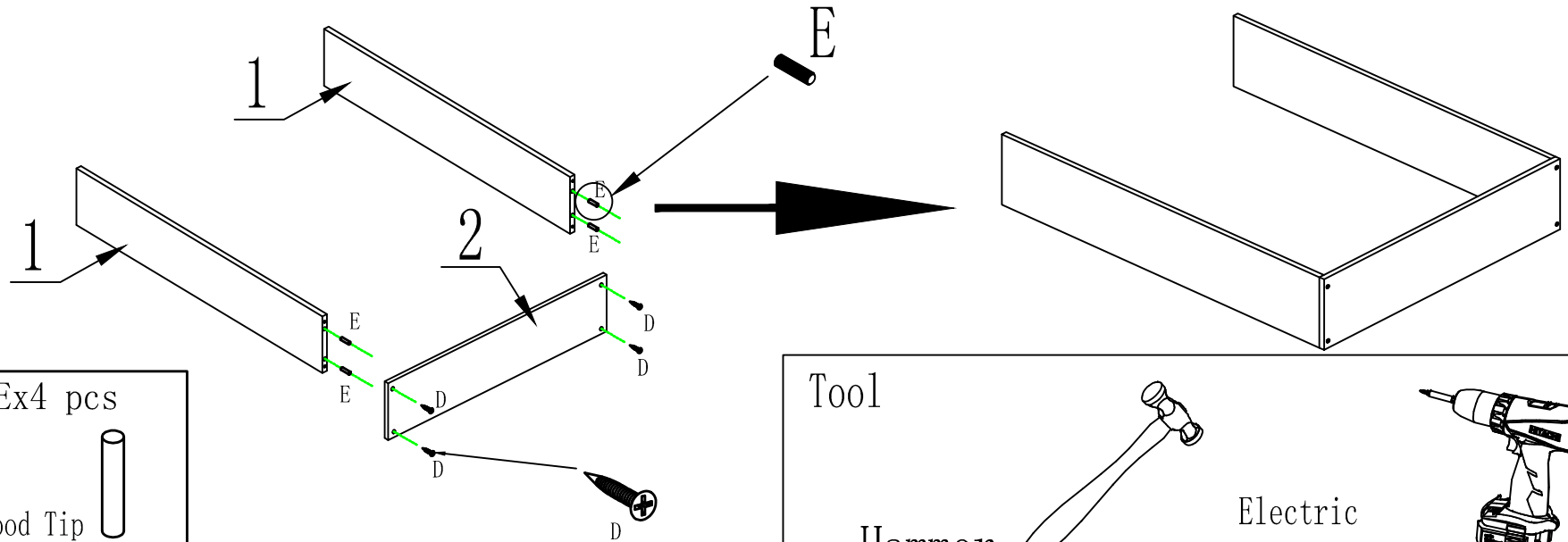
ST4\*20

Tool

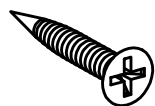


Electric drilling machine

# 2



Dx4 pcs



ST5\*60

Ex4 pcs

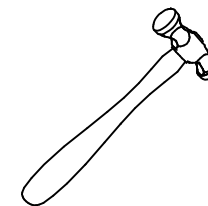
Wood Tip



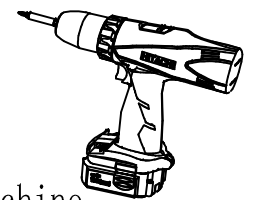
φ12x40

Tool

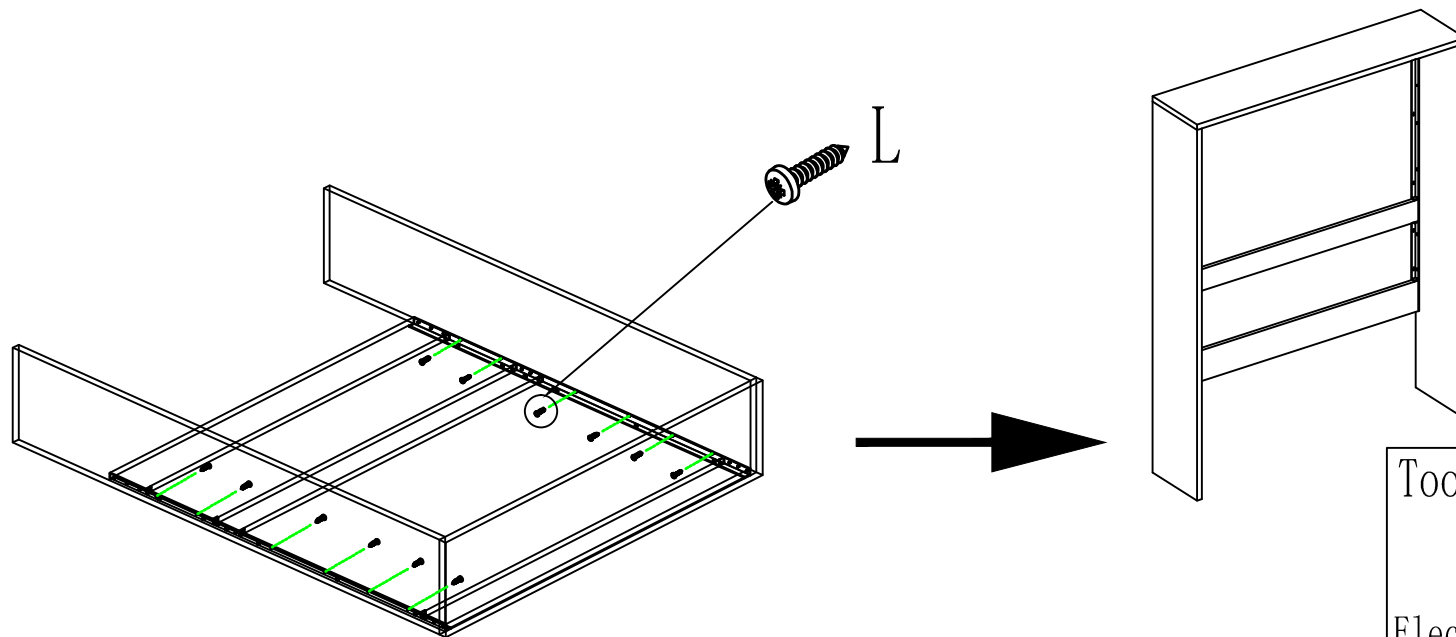
Hammer



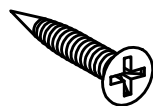
Electric drilling machine



3

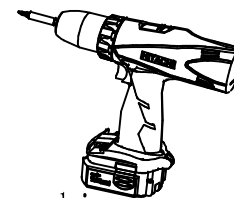


Lx12 pcs



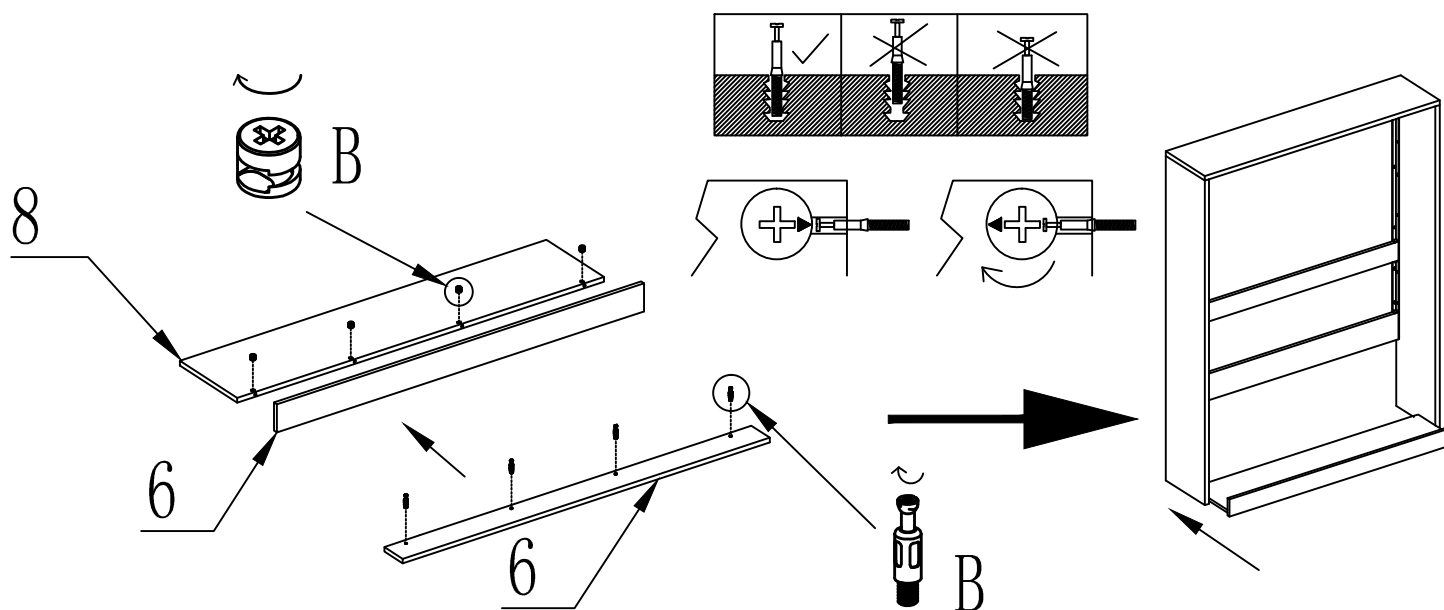
ST4\*20

Tool

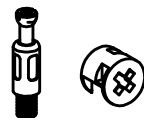


Electric drilling machine

4



Bx4 pcs

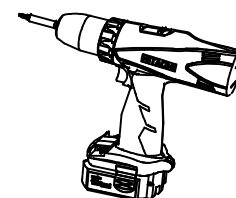


Three in one

Tool



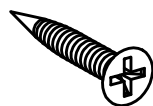
" — " shape screw driver



Electric drilling machine

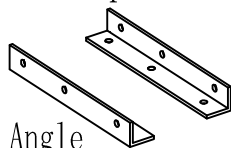
5

Cx12 pcs

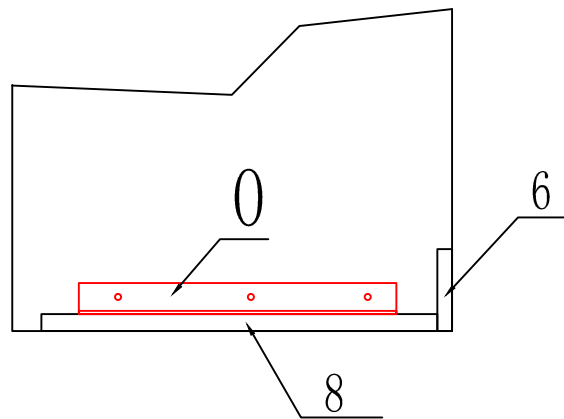
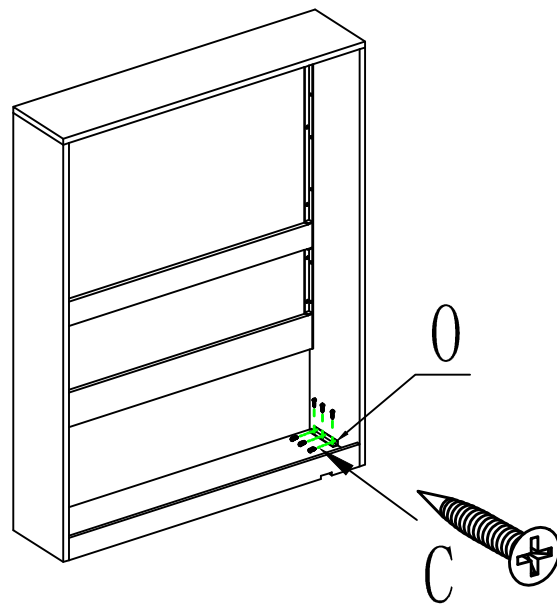


ST4\*16

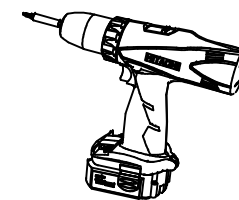
Ox2 pcs



Angle  
iron



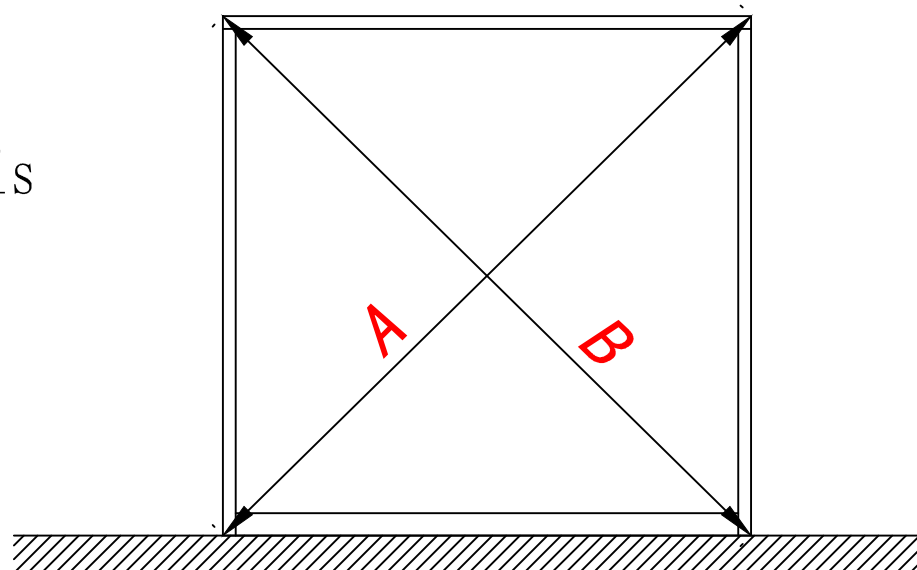
Tool



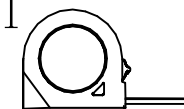
Electric  
drilling machine

6

Check the bed frame whether is  
90 degree to the floor  
Diagonal line A and B both  
length number should within  
3mm



Tool



Ruler



# 7

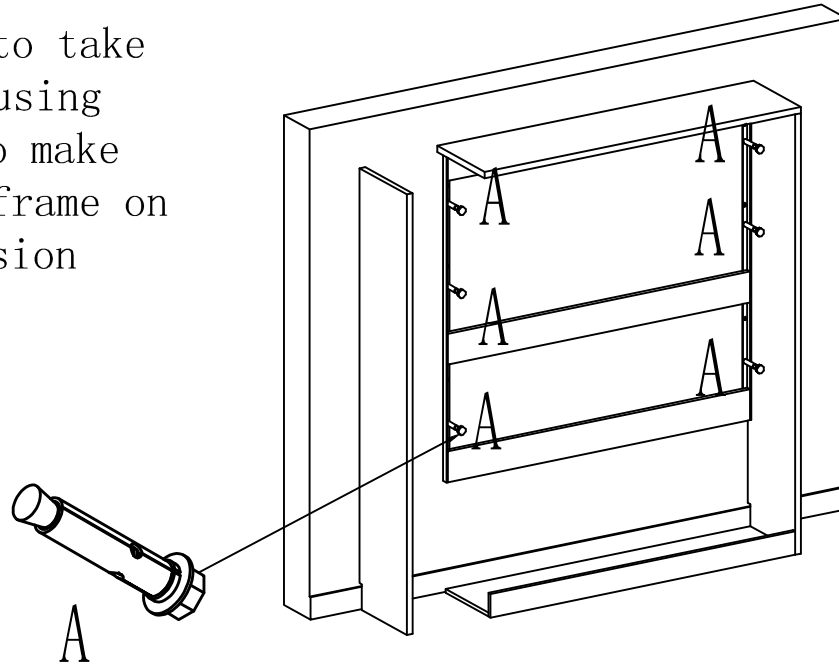
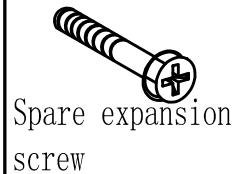
The first step, is to take marks on the wall, using impact drill tool to make holes, fix the bed frame on the wall with expansion screws

Solid brick wall

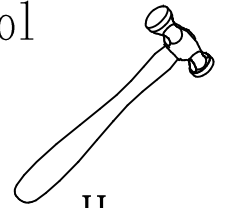
Ax6 pcs



Hollow Plank Wall



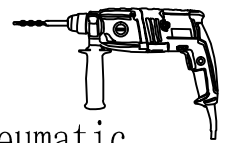
Tool



Hammer



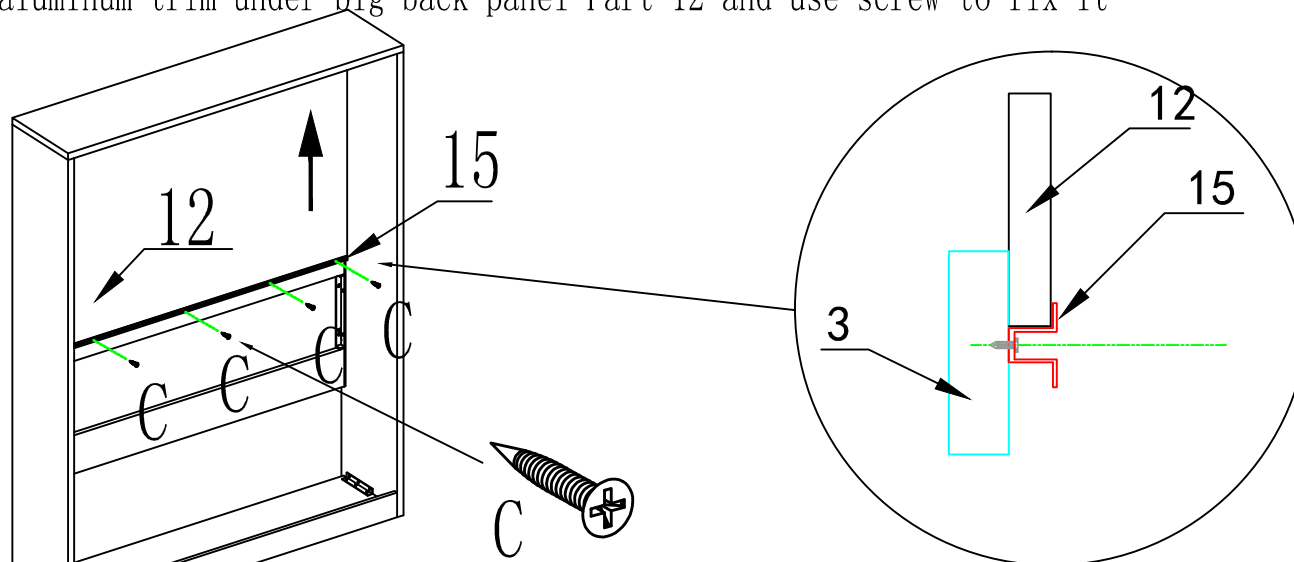
Adjustable  
wrench



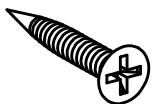
Pneumatic  
drilling machine

# 8

1. Open the cap of aluminum trim
2. Big back panel Part 12 insert to the groove of top panel
3. Press the aluminum trim under big back panel Part 12 and use screw to fix it

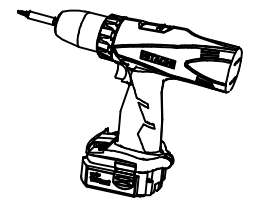


Cx4 pcs



ST4\*16

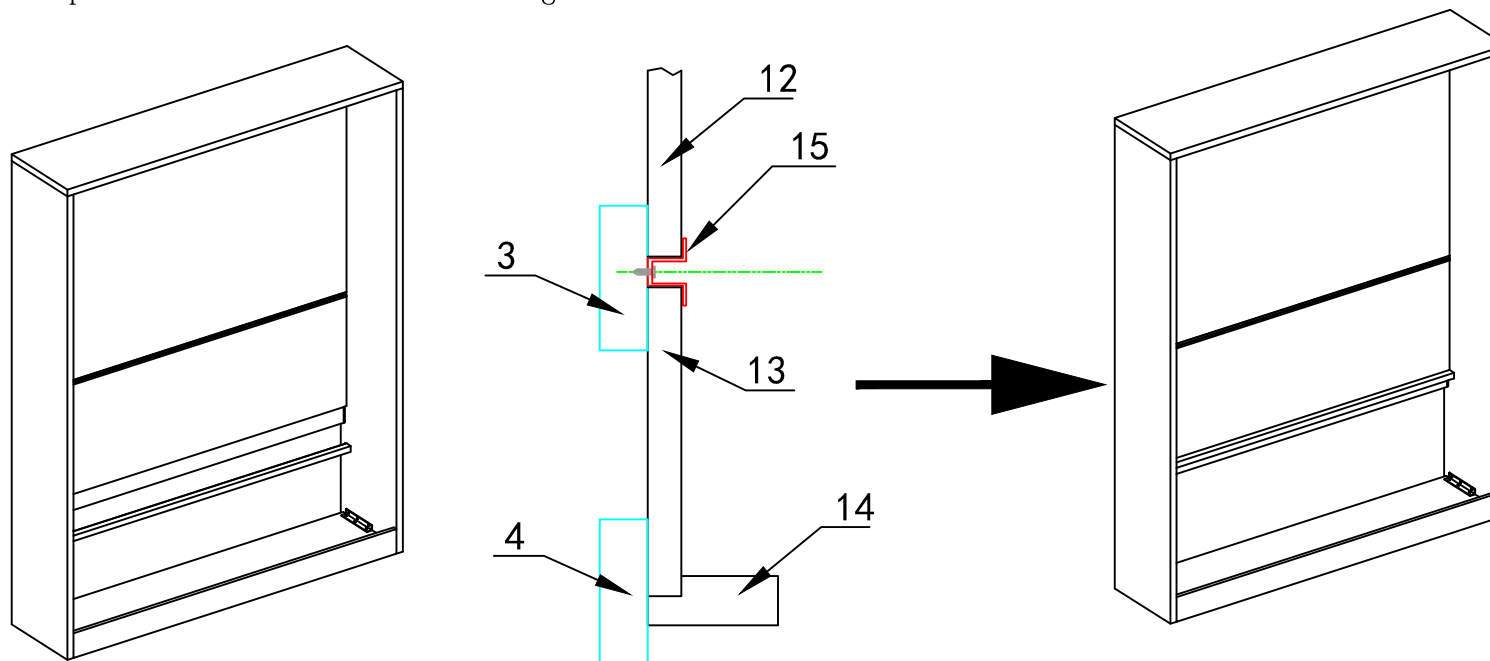
Tool



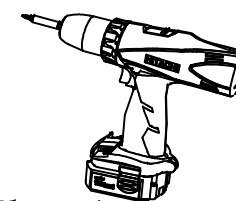
Electric  
drilling machine

# 9

Use back panel Part 13 insert to the groove under aluminium trim and use Part 14 to hold back panel Part 13



Tool



Electric drilling machine

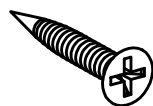
# 10

Use Angle connector "F" to fix transverser baffle plate Part 14 on back brace panel Part 4 with self-tapping screw. Then cover the cap of aluminium trim

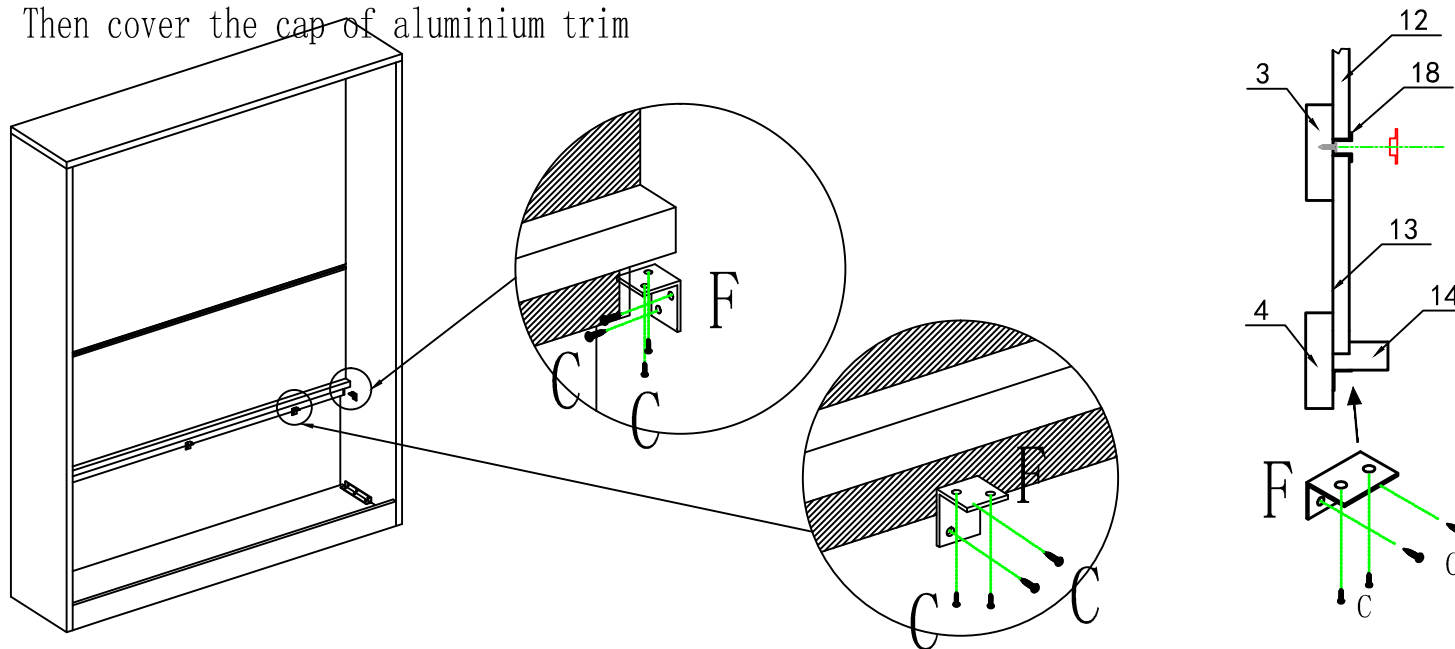
Fx4 pcs

Angle  
Connectors

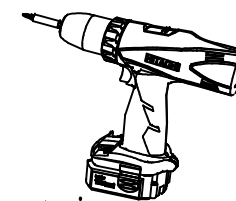
Cx16 pcs



ST4\*16



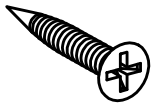
Tool



Electric drilling machine

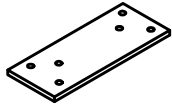
11

Cx18 pcs

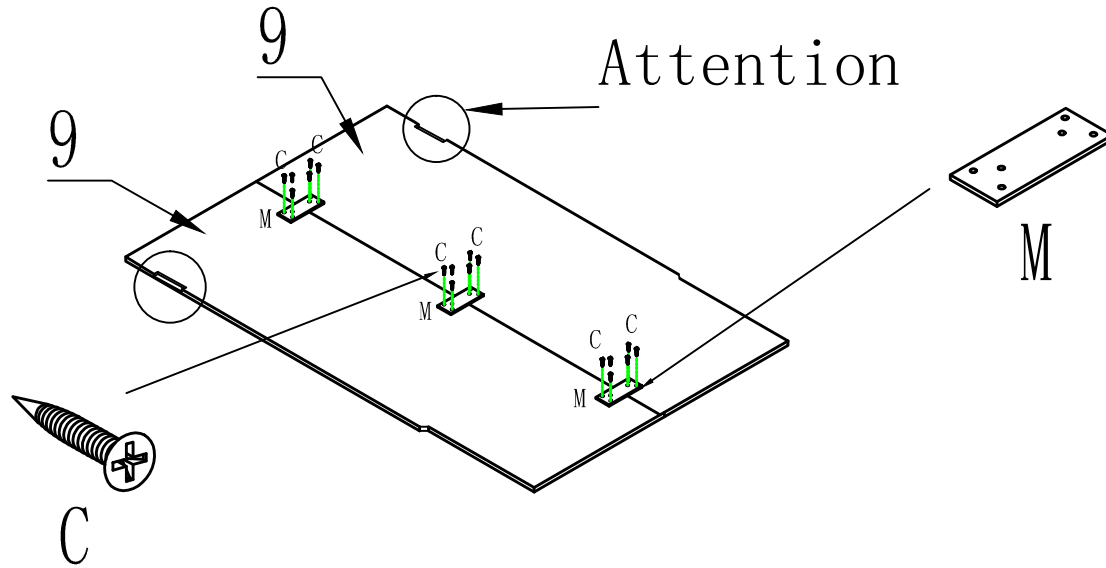


ST4\*16

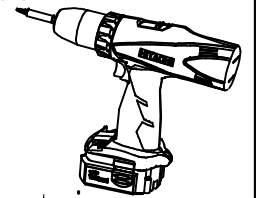
Mx3 pcs



Level Connectors



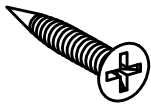
Tool



Electric drilling machine

12

Cx28 pcs

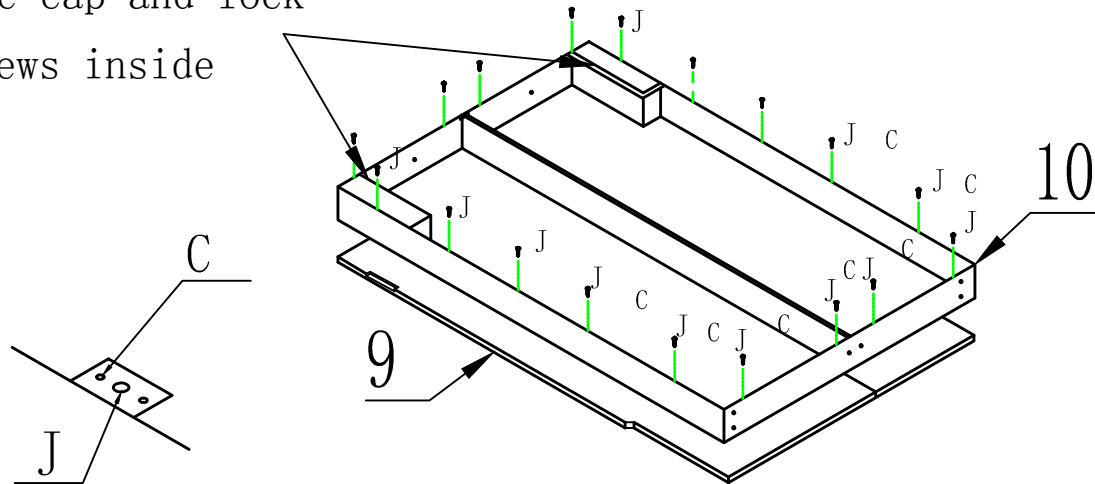


ST4\*16

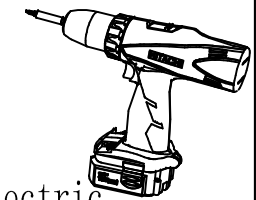
Jx28 pcs

M6\*16  
Round head self tapping

Open the cap and lock the screws inside

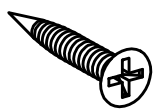
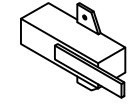

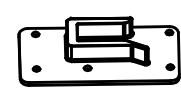


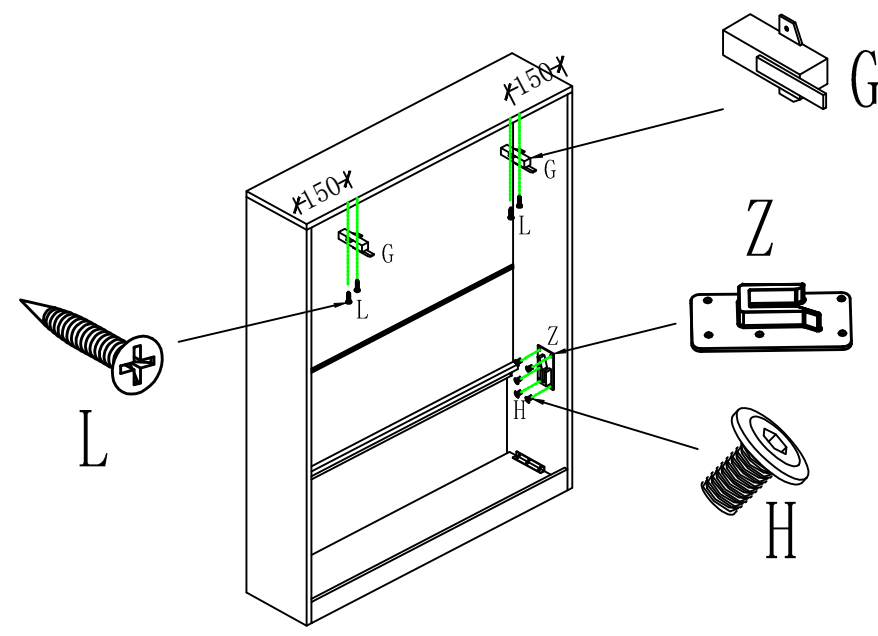
Tool



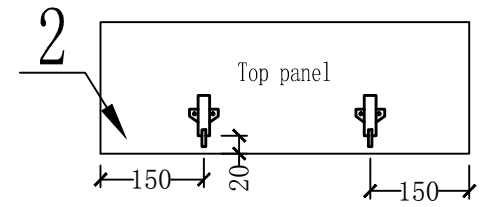
Electric drilling machine

# 13


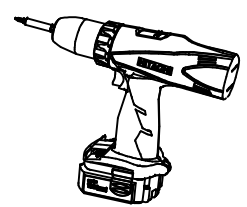
Lx4 pcs  ST4*20	Gx2 pcs  Positioner
Hx10 pcs  Hex head screw	Zx2 pcs  Limit iron



Positor away from edge of side board 20mm

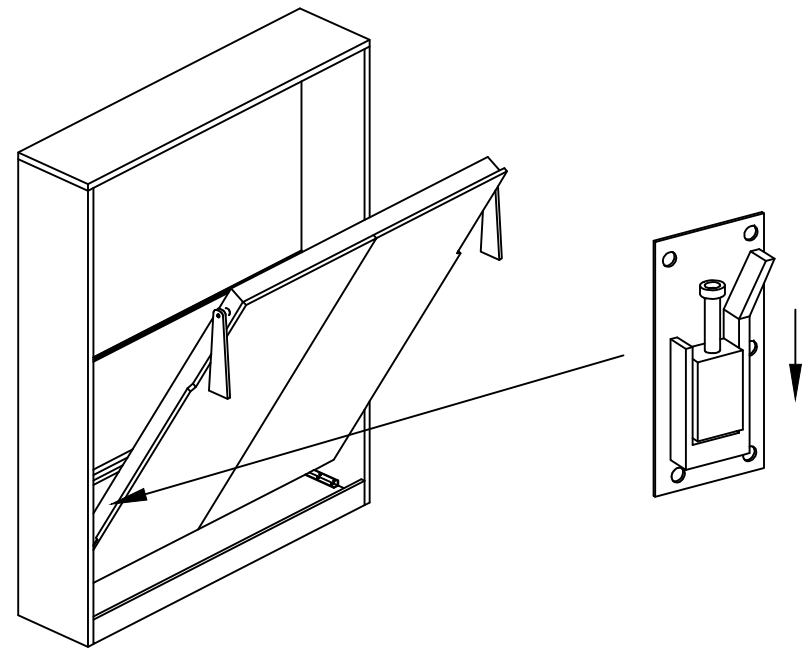
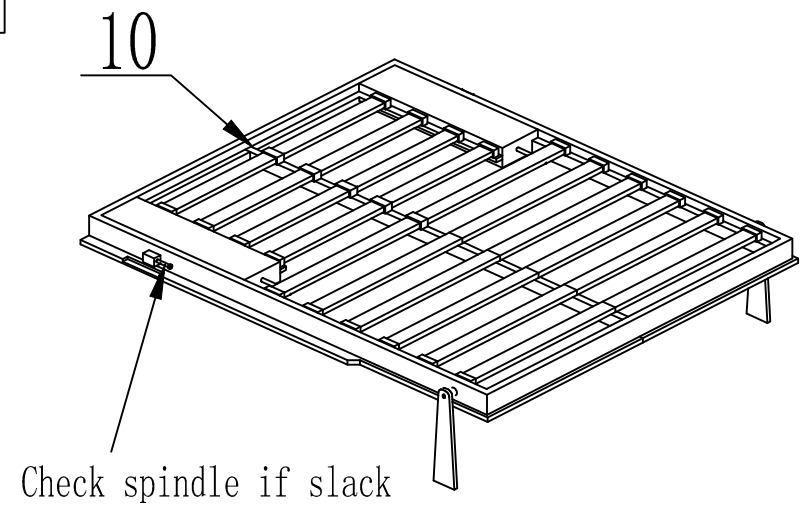


Tool

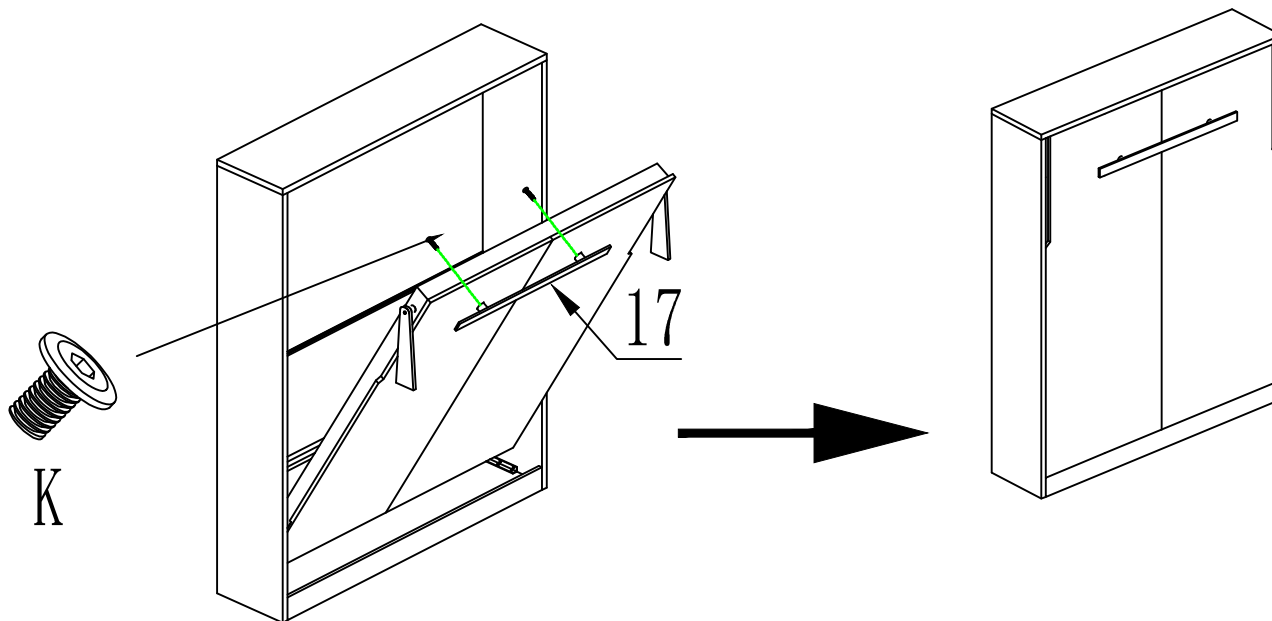



M8 internal hexagonal wrench      Electric drilling machine

# 14



15

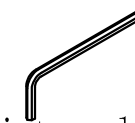


Kx2 pcs



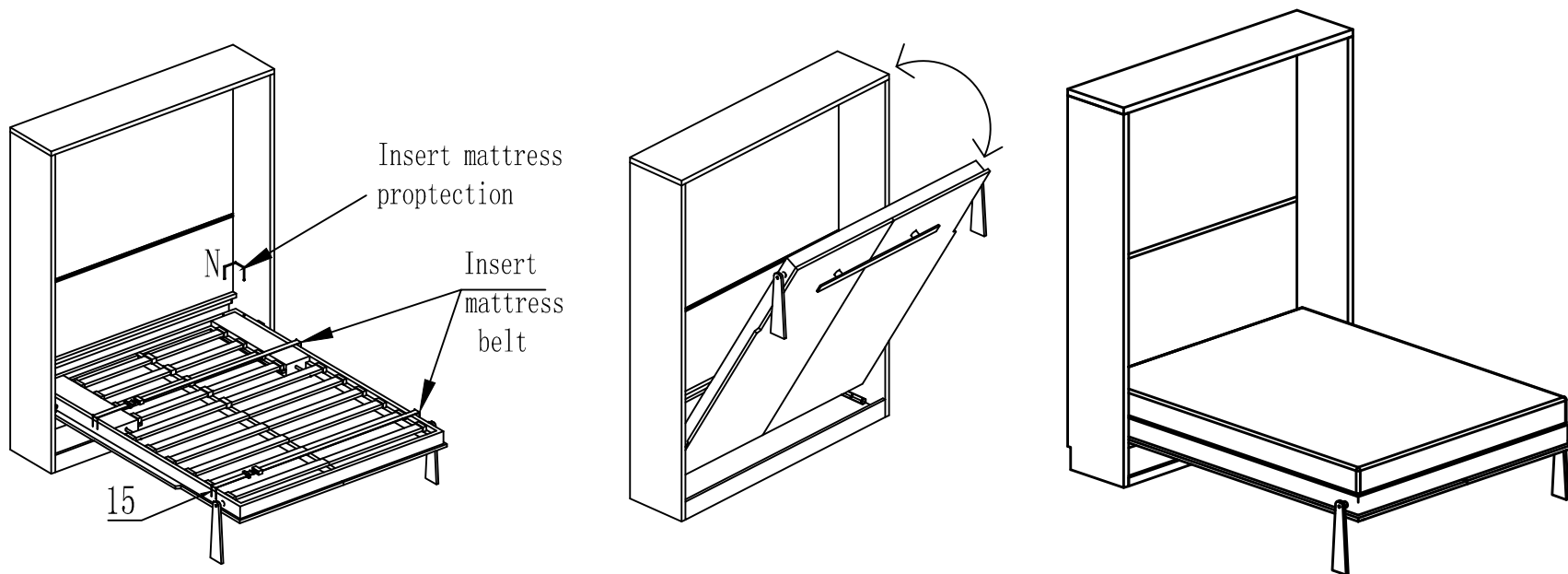
M8\*35  
Hex head screw

Tool

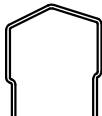


M8 internal  
hexagonal wrench

16



Nx2 pcs



Mattress  
protection

# 17

## Adjustment Introductions

### 1. Wall bed Gap adjustment

This bed needs to flip up and down, for around the general will be reserved for about 1cm gap to facilitate the use, the diagonal size needs to be corrected before the bed is connected to the wall.



If the left and right gap size uneven, please check the diagonal size of bed frame first, if the diagonal size is right, please adjust the screw clockwise of the smaller gap side , back and forth debugging to the best of the situation



# 18

## 2. Wall bed Spring adjustment

After installing the wall bed, we need to debug spring function device. Close the bed into the angle of  $30^{\circ}$ , with a wrench to adjust the nut on the screw (Note: clockwise twist tighten the spring tension, counterclockwise twist to loose spring tension), the screw exposed length is about 60-80MM (that is the distance from the top of the nut to the screw).

The correct spring situation is the bed can stop in the open angle of  $30^{\circ}$ , the bedstead would not appear to rebound after landing, back and forth debugging to the best of the situation.

