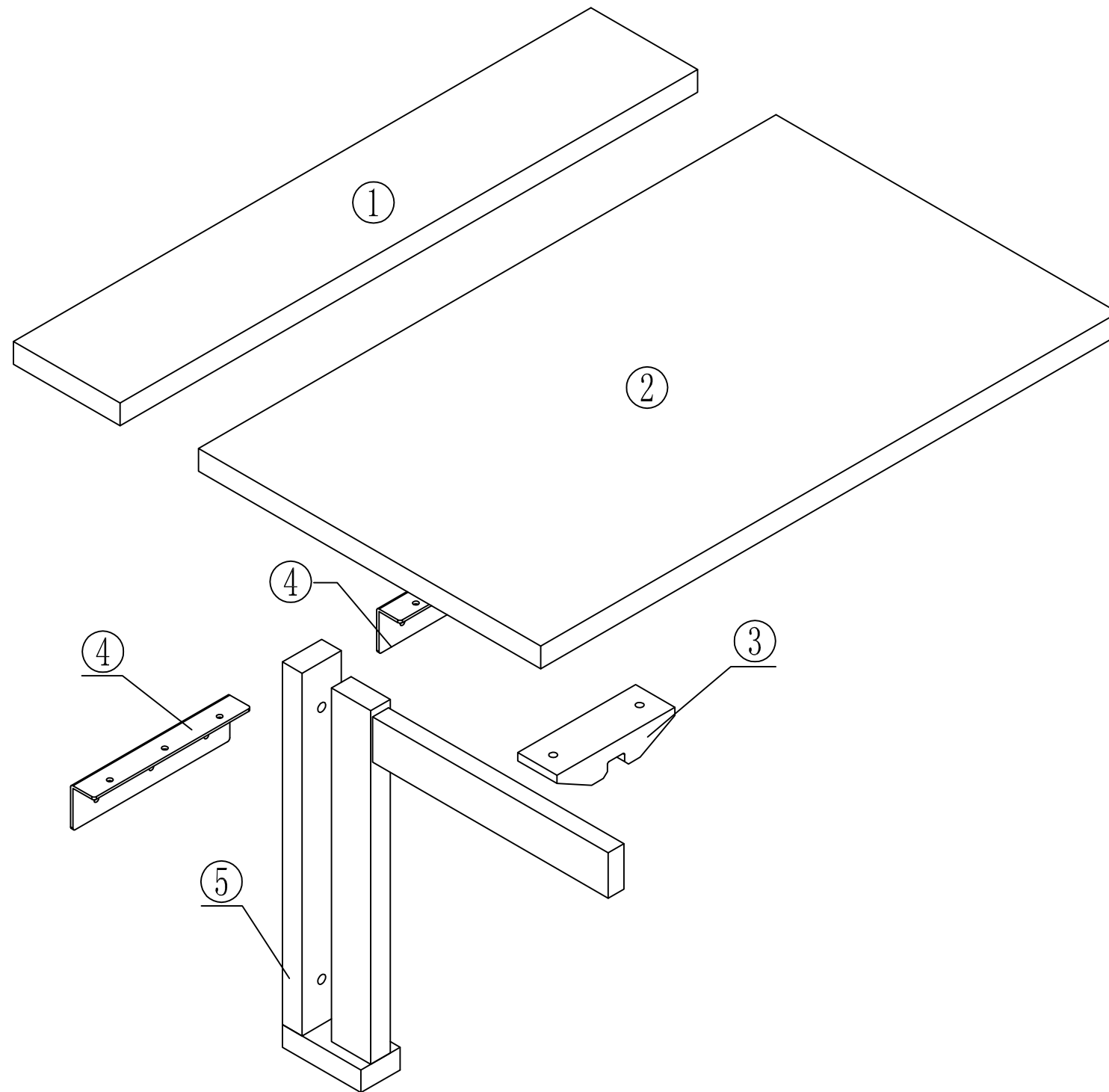
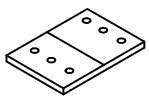
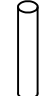
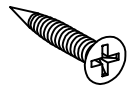
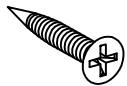


# Folding desk MKT2 - Installation manual

No.	Parte name	QTY
1	Deck plate 1	1
2	Deck plate 2	1
3	Locking plate	1
4	Connecting plate	2
5	Supporting Fitting	1



Hx3 pcs  Hinge	Lx8 pcs  Expansion Screw	Dx8 pcs  ST4*50	Ex26 pcs  ST4*25
---	---	--	---

# Folding desk MKT2 - Installation manual

