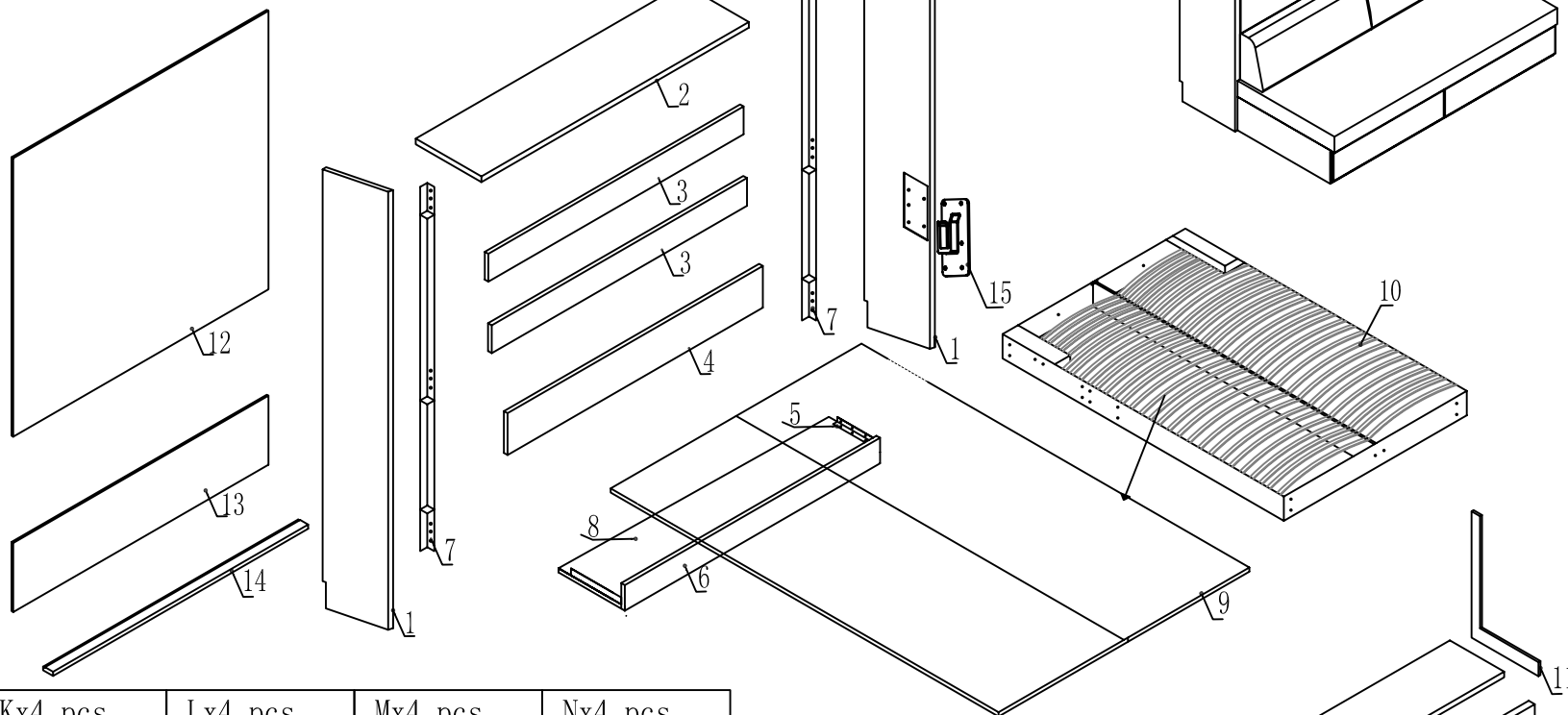
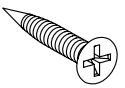
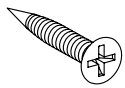
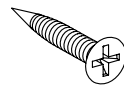
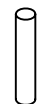
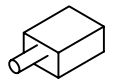
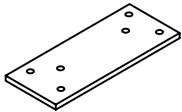
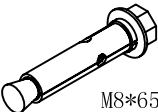
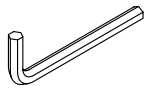
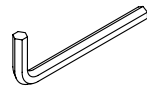
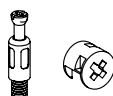
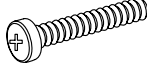


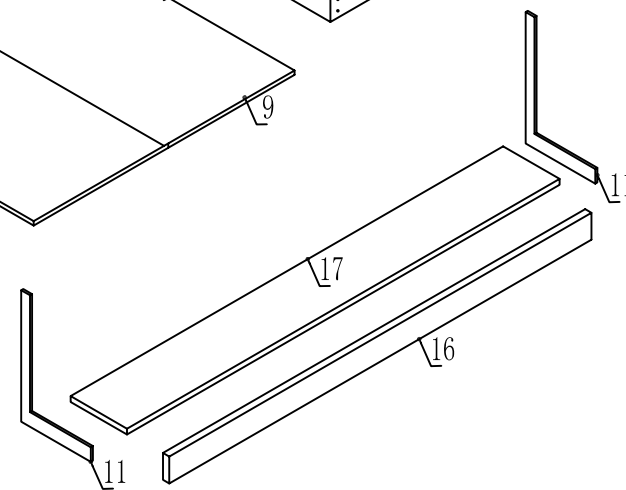
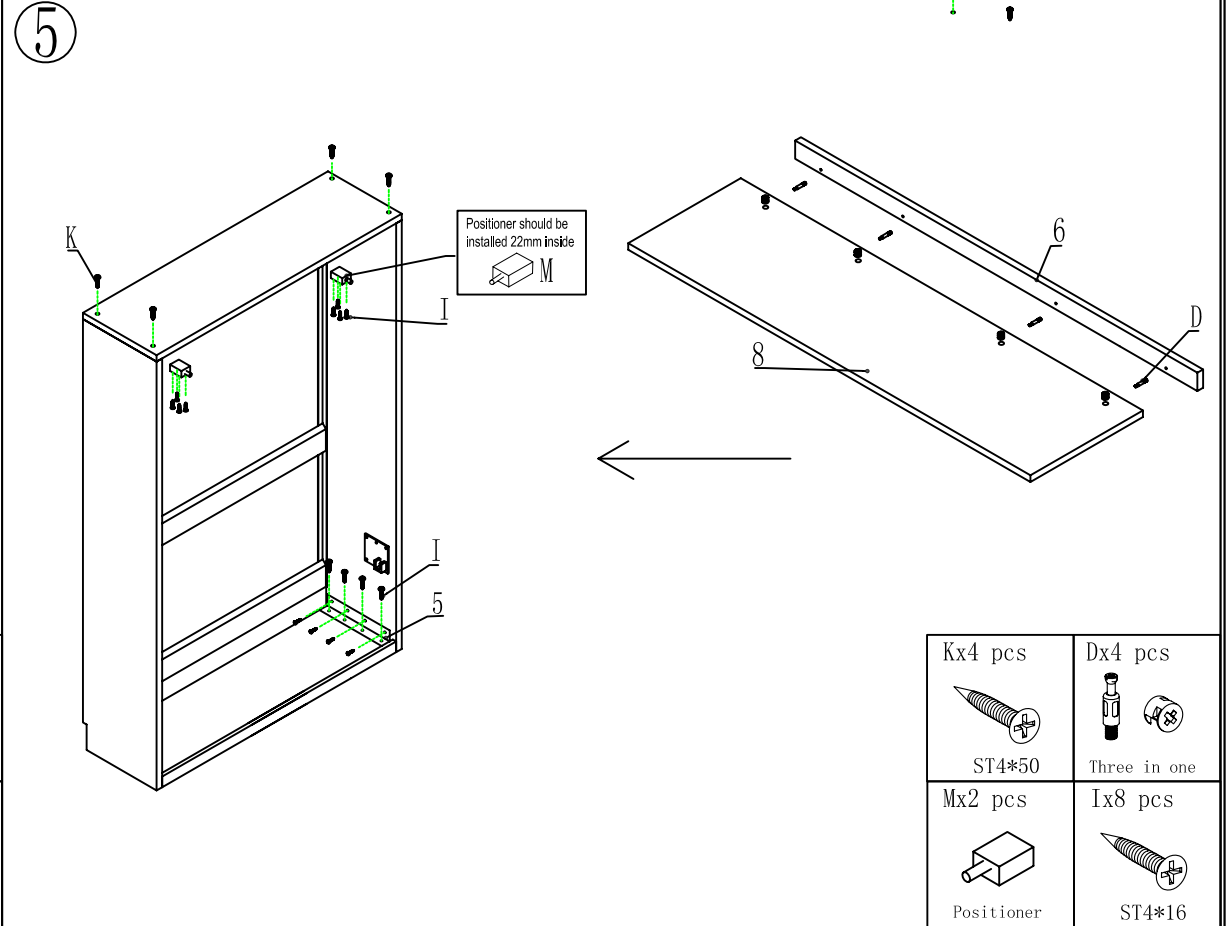
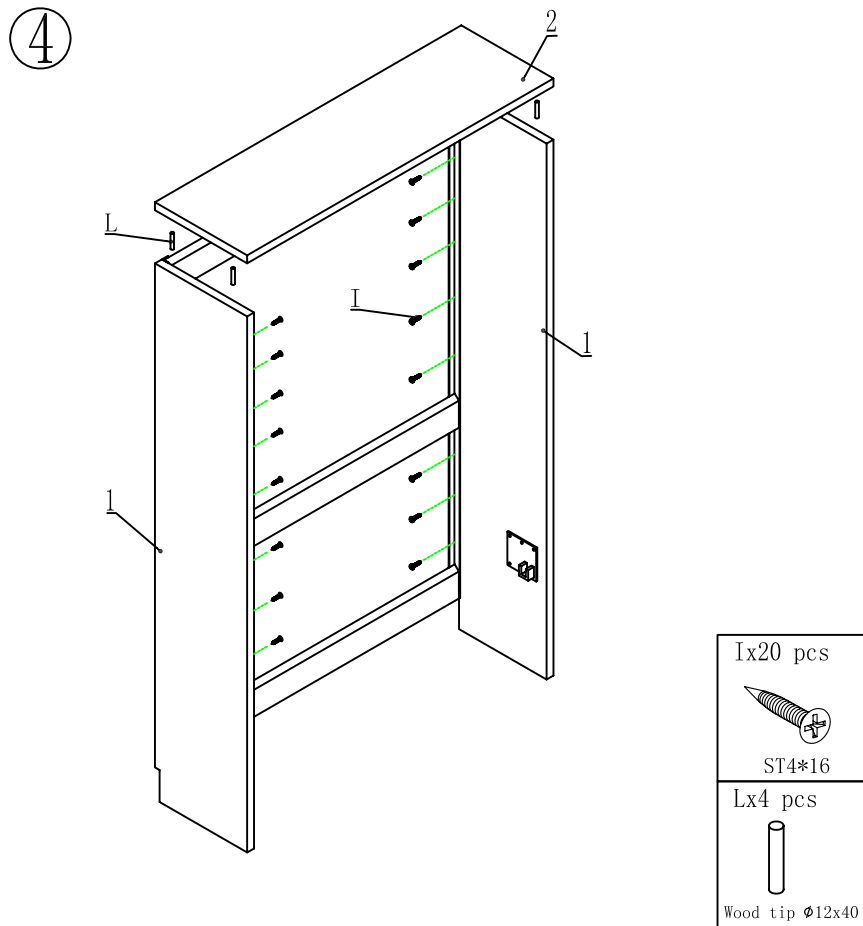
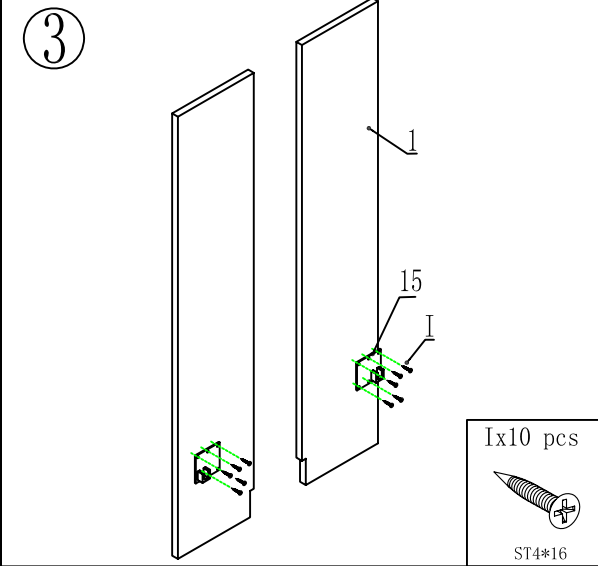
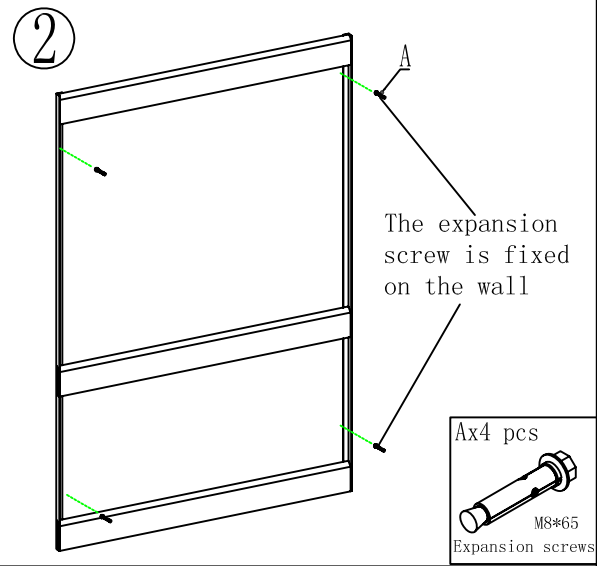
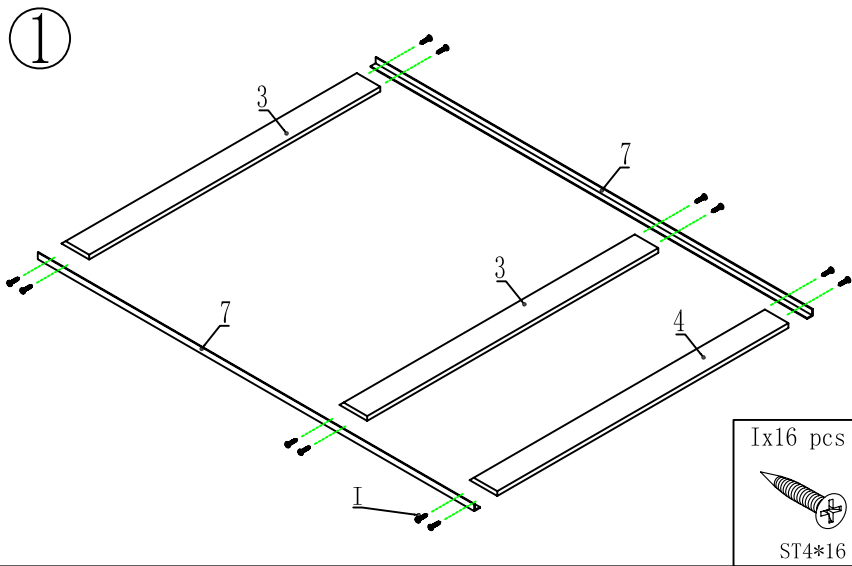


No.	Parte name	QTY
1	Side panel	2
2	Top panel	1
3	Back brace panel	2
4	Back brace panel	1
5	Angle iron	2
6	Skirting line	1
7	Back corner line	2
8	Bottom panel	1
9	Door panel	2
10	Bedstead	1
11	L type angle	2
12	Back panel	1
13	Back panel	1
14	Transverse pull plate	1
15	Hanging plate	2
16	Shelf board	1
17	Bookshelf	1

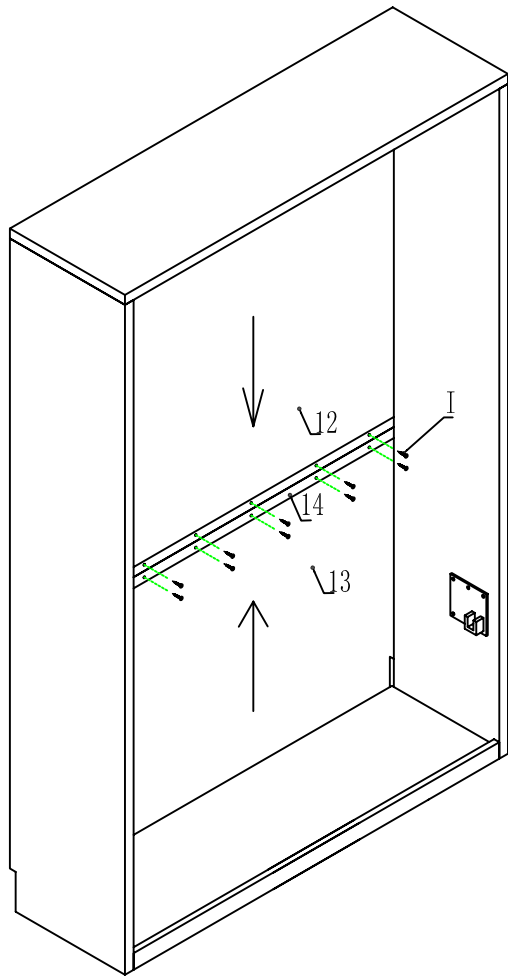


Ix100 pcs  ST4*16	Jx4 pcs  ST4*40	Kx4 pcs  ST4*50	Lx4 pcs  Wood tip $\phi$ 12x40	Mx4 pcs  Positioner	Nx4 pcs  Connector	
Ax4 pcs  M8*65 Expansion screws	Bx1 pcs  M5	Cx1 pcs  M8	Dx4 pcs  Three in one	Ex2 pcs  M8*50	Fx2 pcs  M8	Gx2 pcs  M8*20





⑥

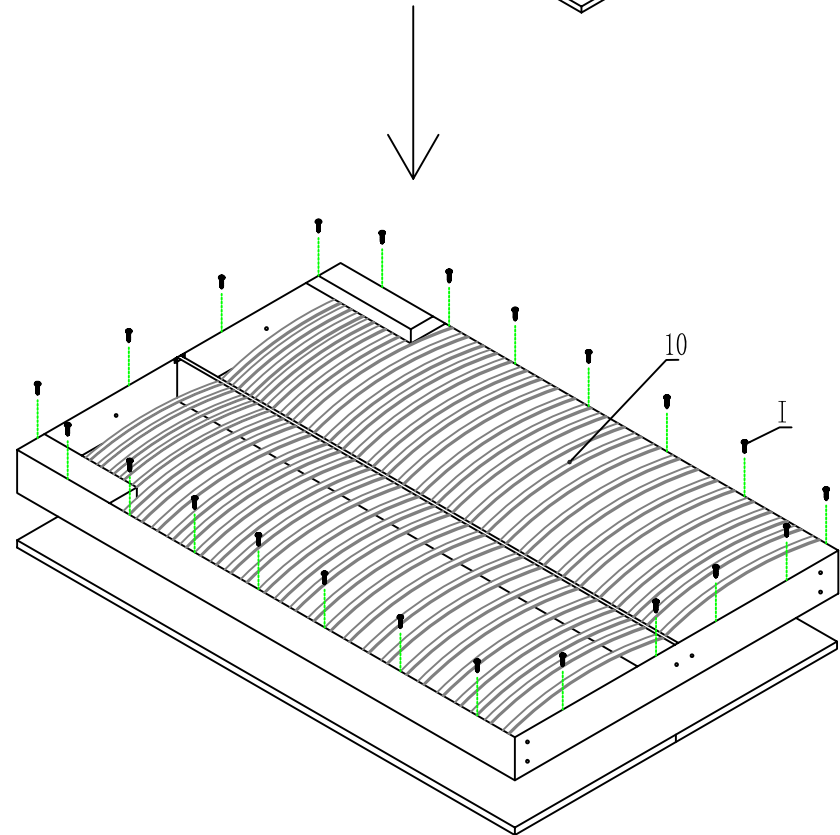
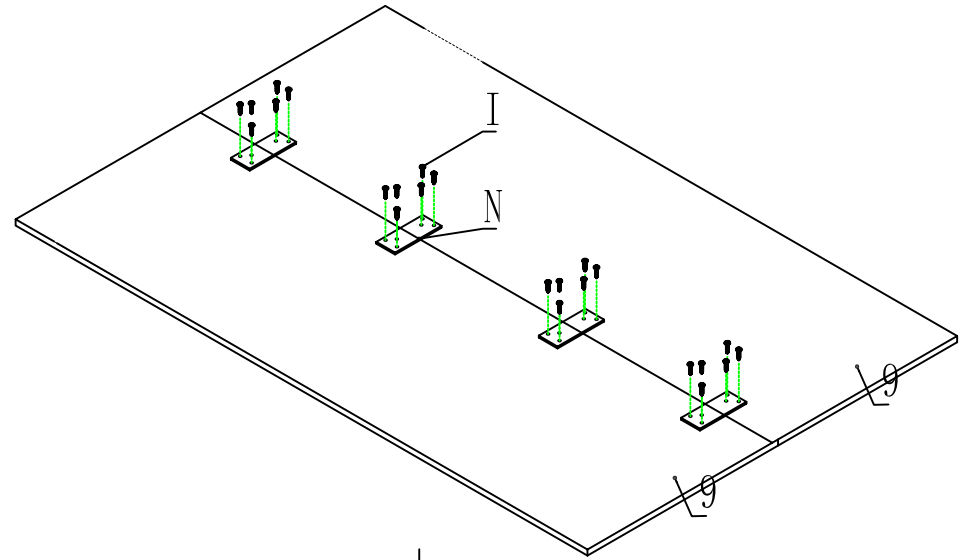


1x10 pcs

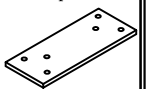


ST4\*16

⑦



Nx4 pcs



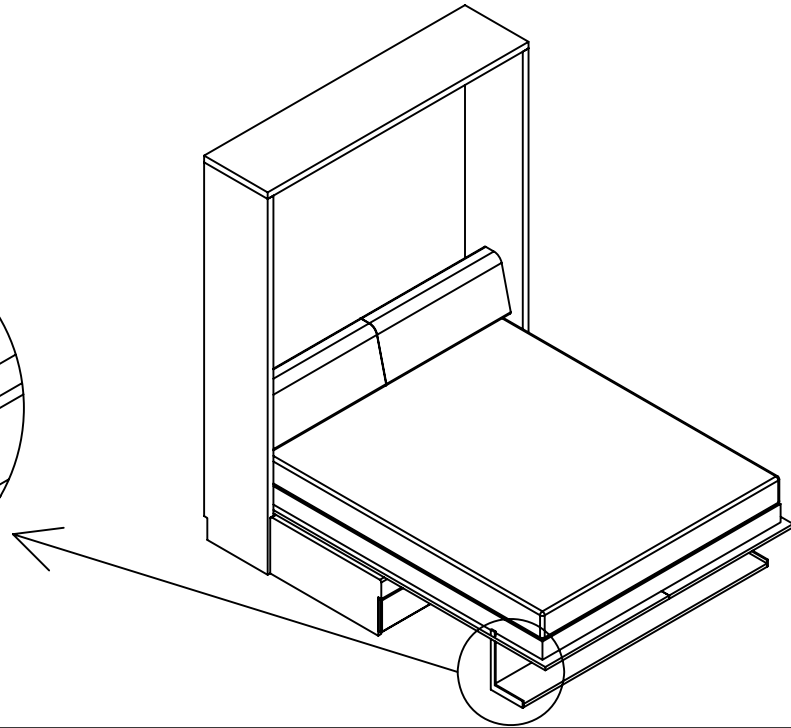
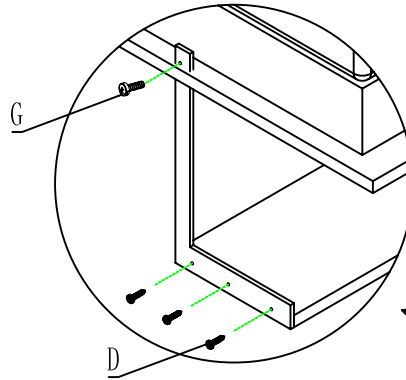
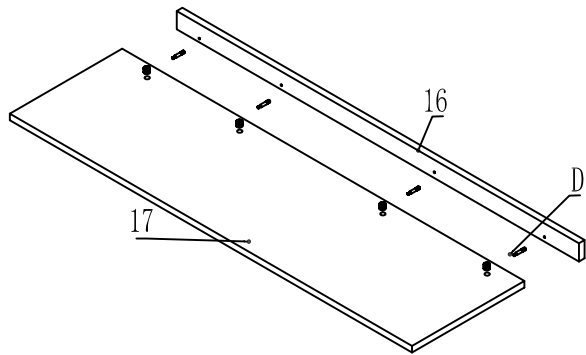
Connector

1x30 pcs



ST4\*16

8



Gx2 pcs



M8\*20

Dx4 pcs



Three in one

Ix20 pcs



ST4\*16

