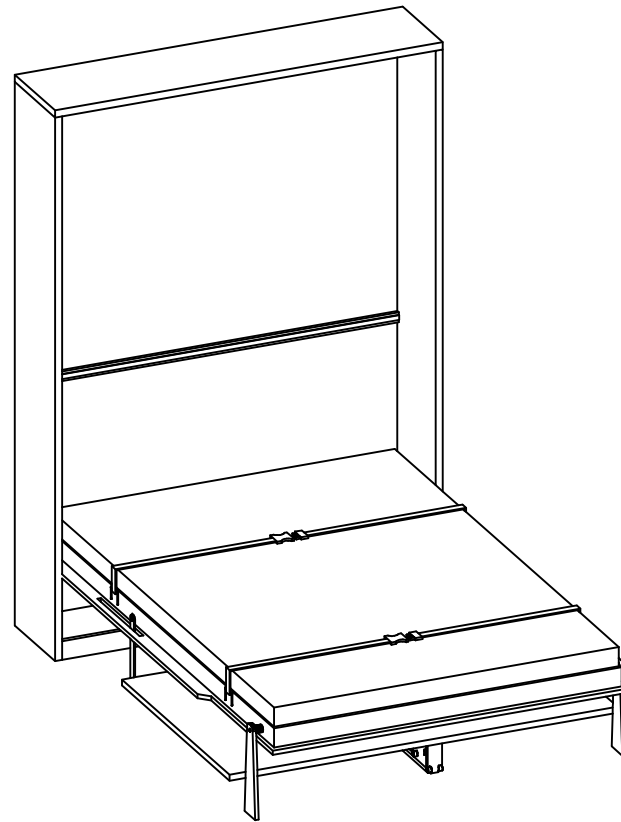
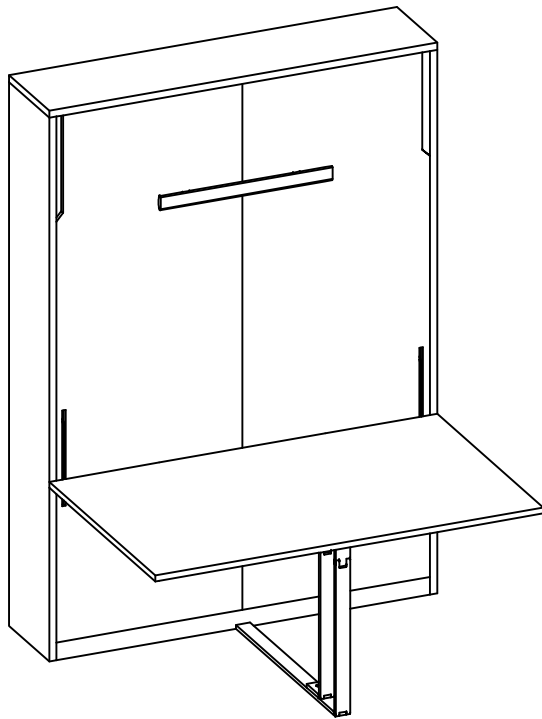




FAIRDEAL.NO
SMART FURNITURE

FD20-120/A5300-12 Installation Instructions

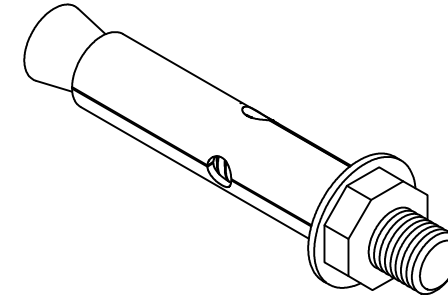


Installation instructions:

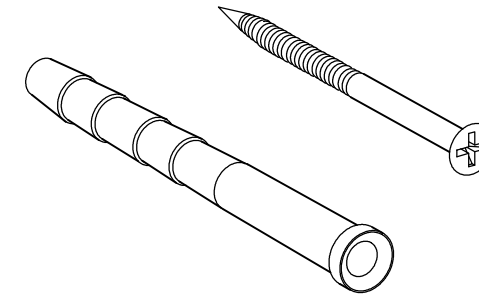
1. Please employ professional furniture installation person to install, Please read the installation drawings carefully before installation.
2. First determine the type of wall before installation, according to the different wall to adopt the corresponding installation method;If the wall can not bear the installation safety requirements of this product, it is suggested that it should not be installed and used.
3. The installation process must be operated in accordance with the steps shown in the drawings, pay attention to the installation of safe operation.
4. If you encounter special problems,, please call the company service phone.

Different walls that need to be used fixed screws :

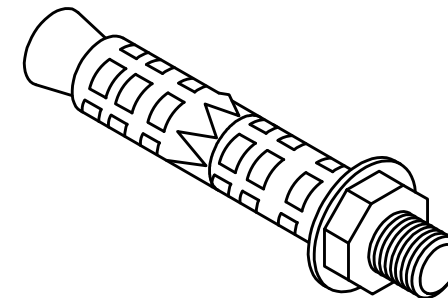
1. Heavy brick (red brick): use explosion-proof screws, use punch a hole with a percussion drill.



2. Lightweight brick (gray brick): use plastic expansion screws, use electric hand drill to drill holes.

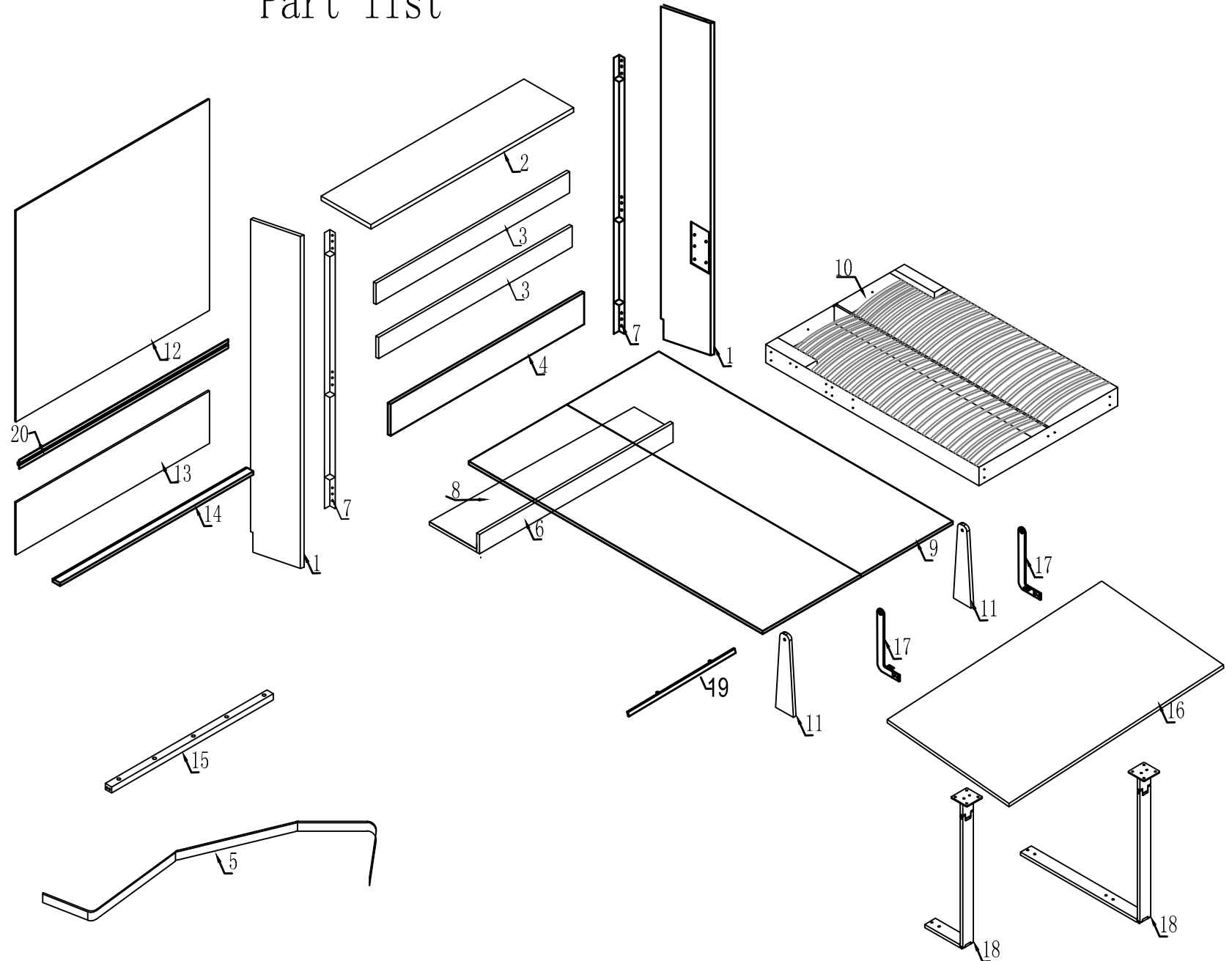


3. Lightweight brick: the use of special expansion screws, use electric hand drill to drill holes.

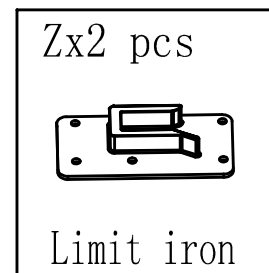
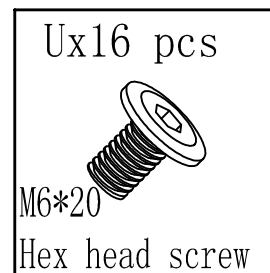
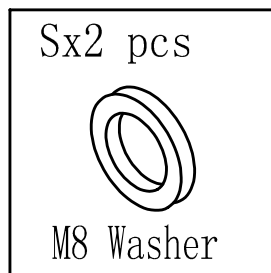
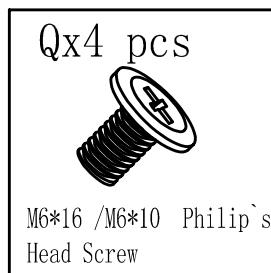
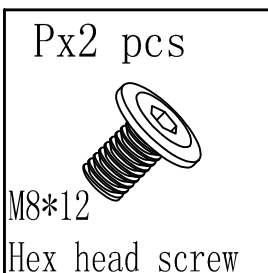
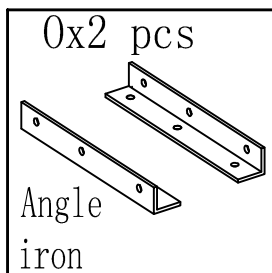
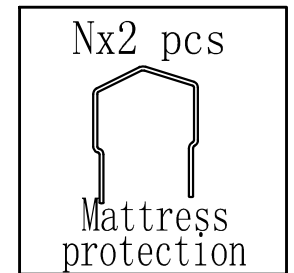
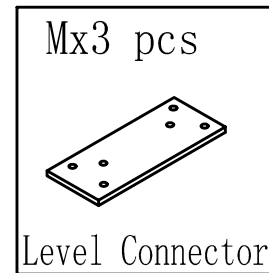
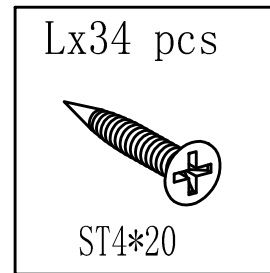
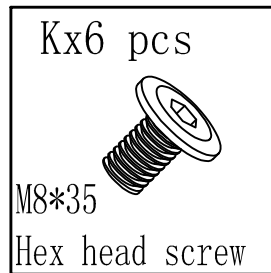
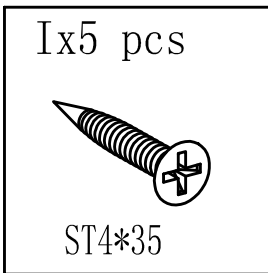
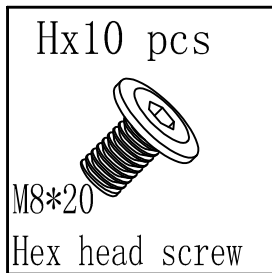
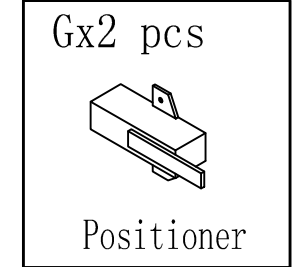
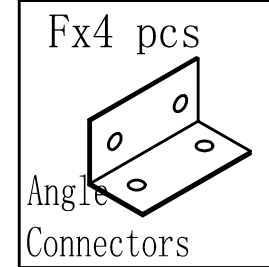
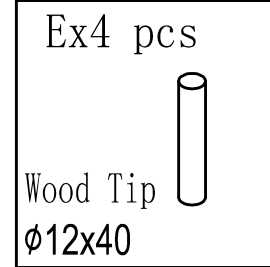
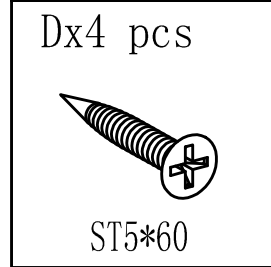
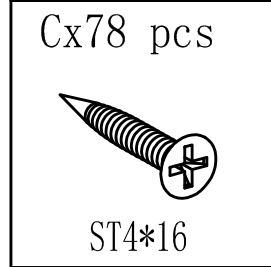
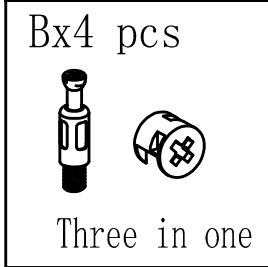
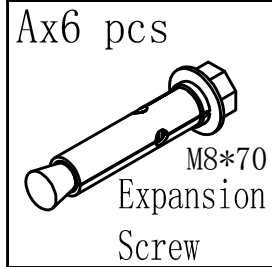


NO.	Part name	QTY
1	Side panel	2
2	Top panel	1
3	Back brace panel 1	2
4	Back brace panel 2	1
5	bandage	2
6	Skirting line	1
7	Back angle iron	2
8	Bottom panel	1
9	Door panel	2
10	Bedstead	1
11	Leg	2
12	Back panel 1	1
13	Back panel 2	1
14	Transverse baffle plate	1
15	Square tube beam	1
16	Desk	1
17	Hanging arm	2
18	Folding aluminum foot	2
19	Handle	1
20	Aluminum trim	1

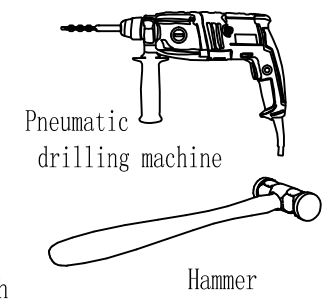
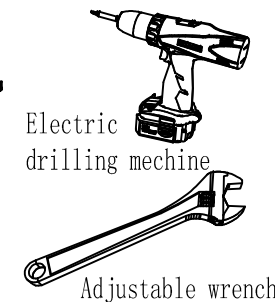
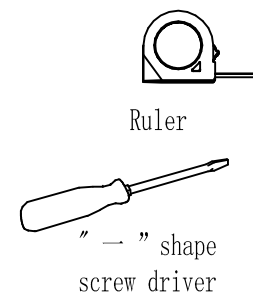
Part list



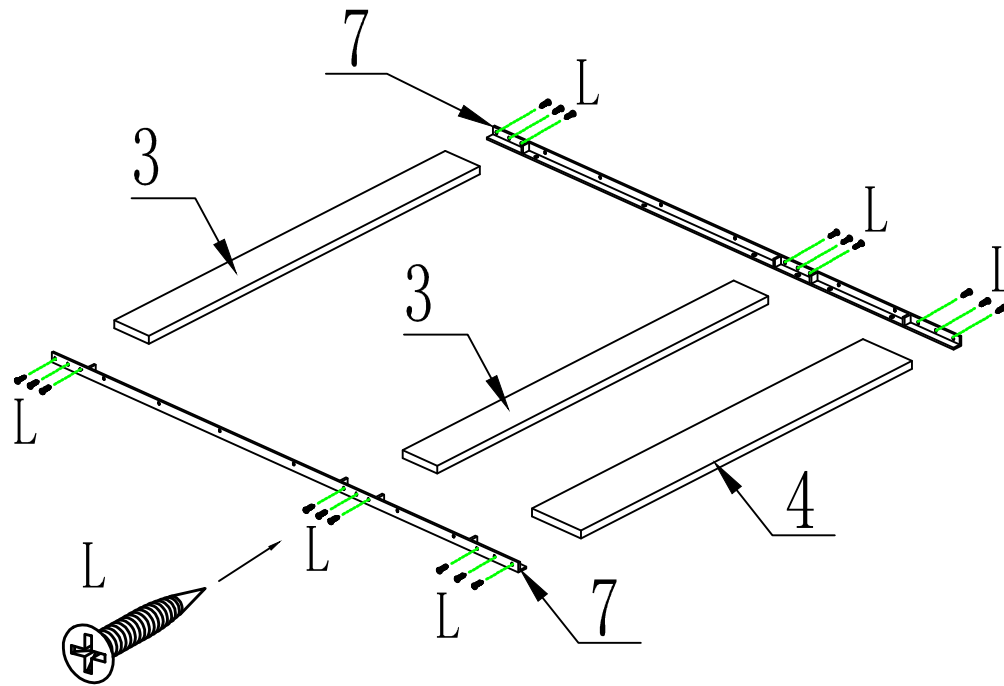
Accessories list



Tool

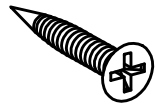


1



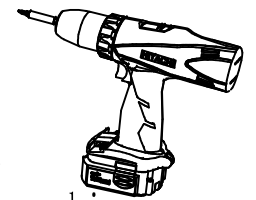
The biggest board part 4 is to be installed at the bottom

Lx18 pcs



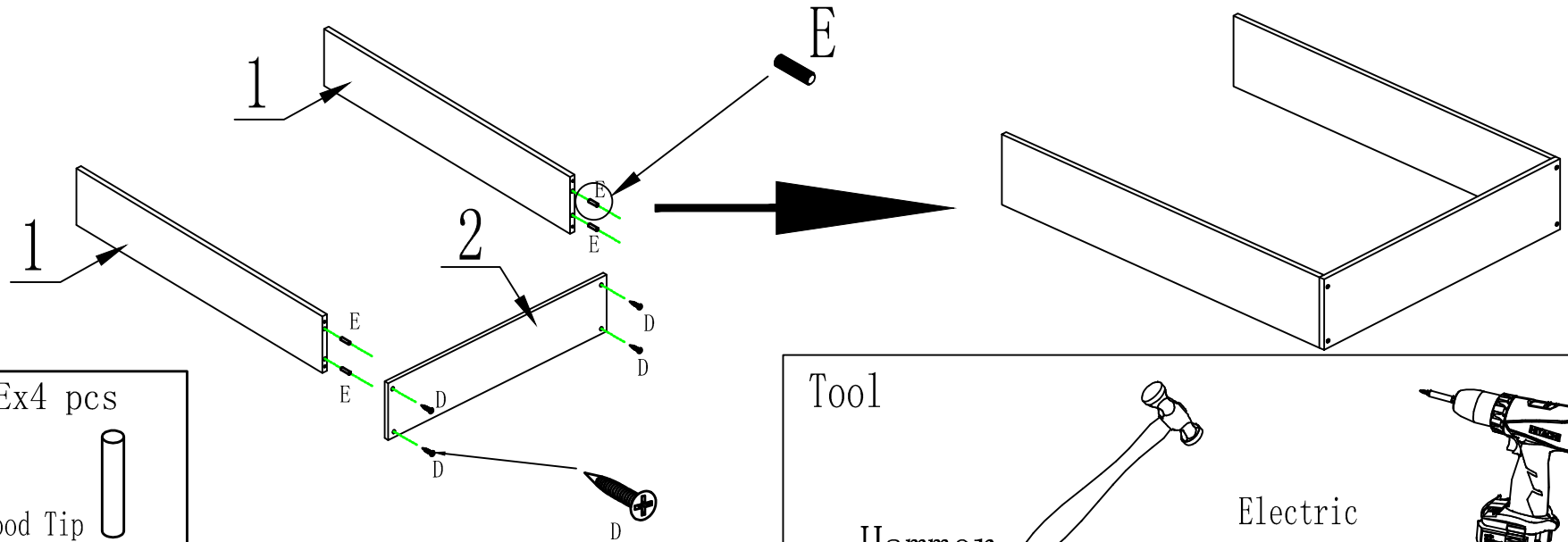
ST4*20

Tool

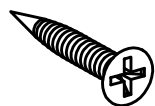


Electric drilling machine

2



Dx4 pcs



ST5*60

Ex4 pcs

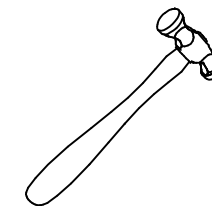
Wood Tip



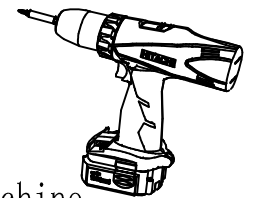
φ12x40

Tool

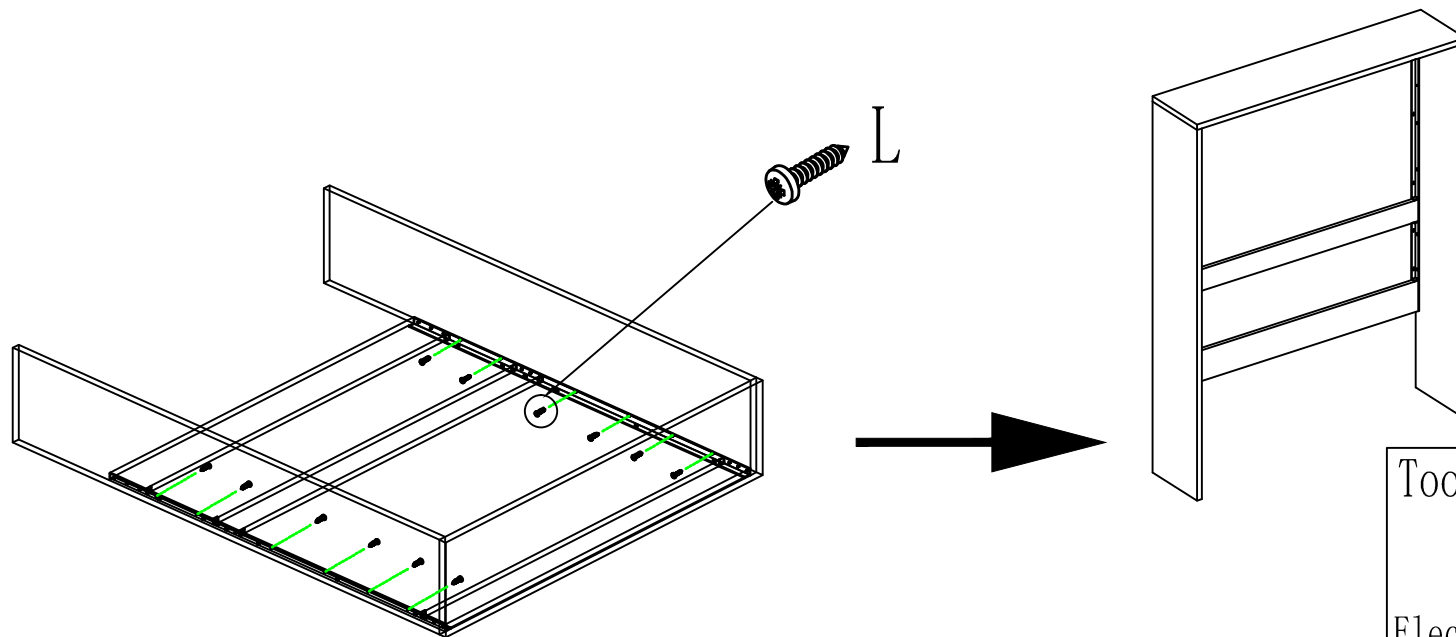
Hammer



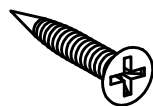
Electric drilling machine



3

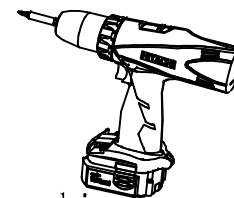


Lx12 pcs



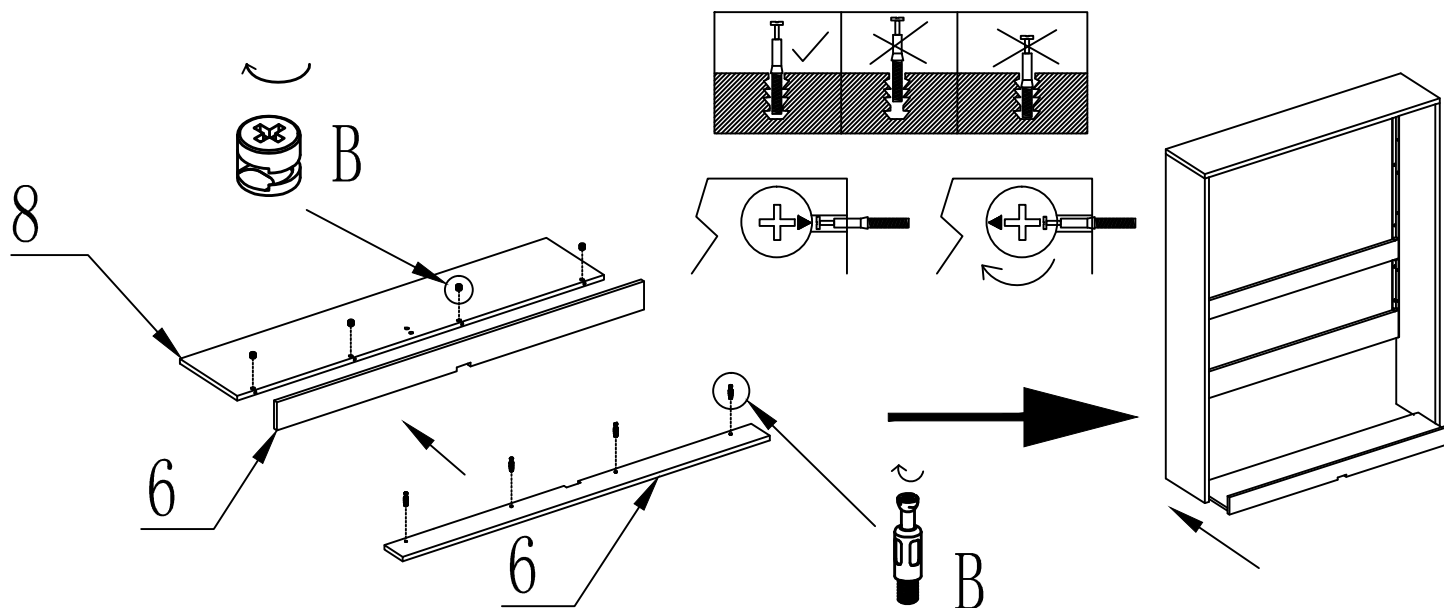
ST4*20

Tool

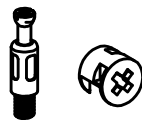


Electric
drilling machine

4



Bx4 pcs

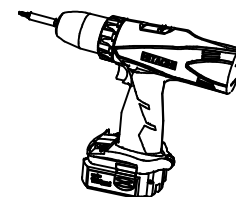


Three in one

Tool



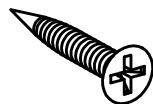
" — " shape
screw driver



Electric
drilling machine

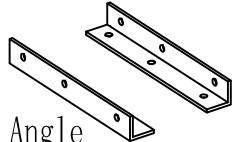
5

Cx12 pcs

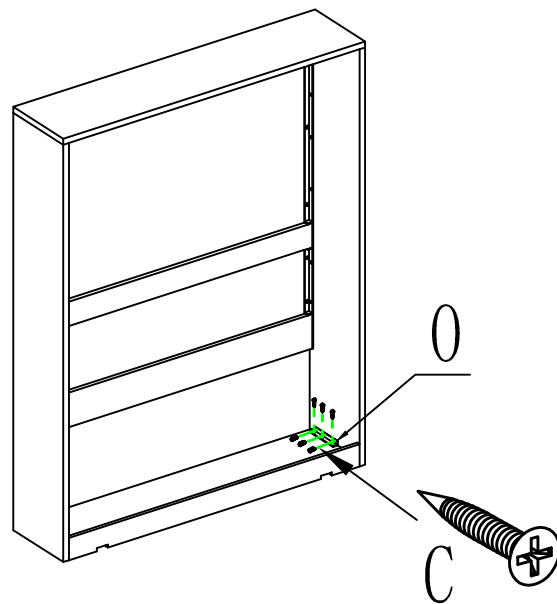


ST4*16

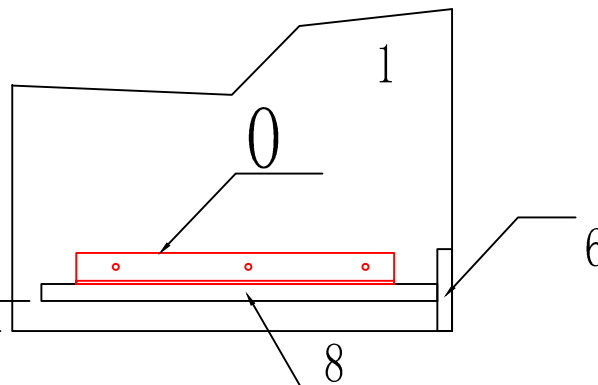
Ox2 pcs



Angle iron



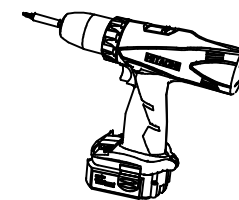
18mm



Please noted the bottom panel can not close to floor, it need leave the floor 18mm height.

Then keep the bottom board in horizontal level and use part " V" with screw " C" to connect side board and bottom board

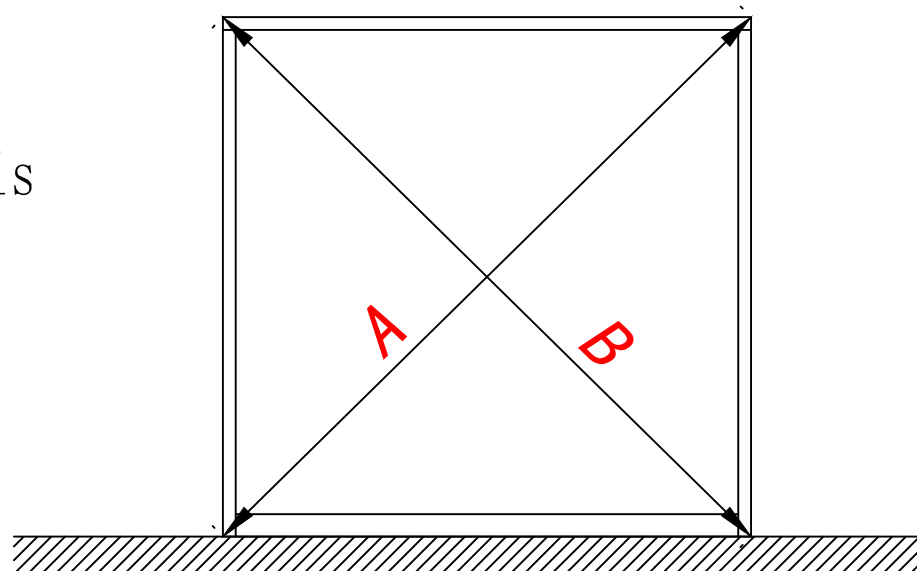
Tool



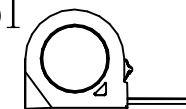
Electric drilling machine

6

Check the bed frame whether is 90 degree to the floor
Diagonal line A and B both length number should within 3mm



Tool



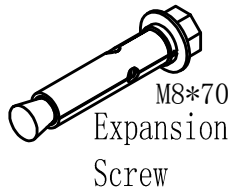
Ruler

7

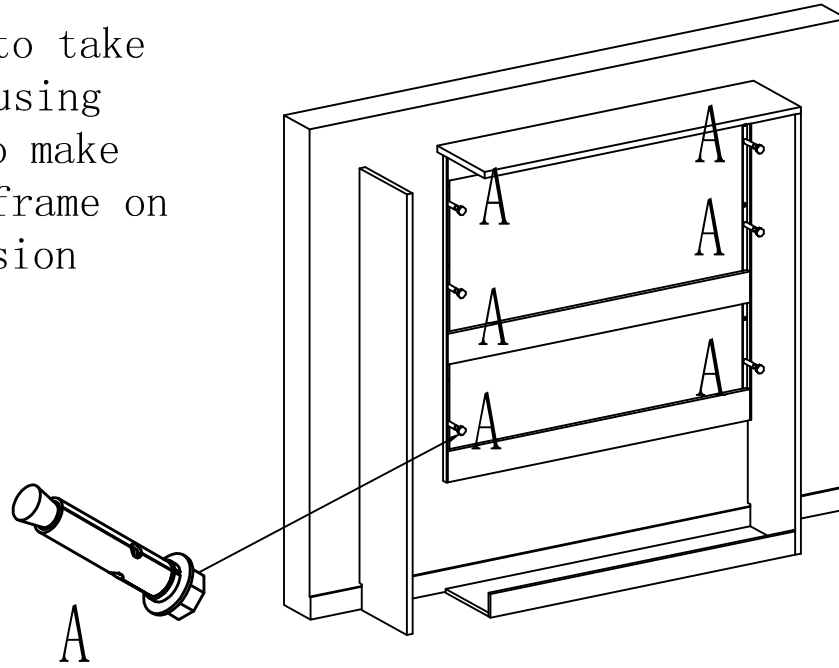
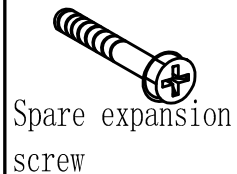
The first step, is to take marks on the wall, using impact drill tool to make holes, fix the bed frame on the wall with expansion screws

Solid brick wall

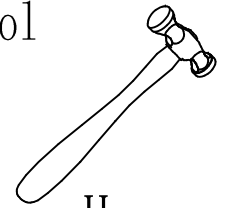
Ax6 pcs



Hollow Plank Wall



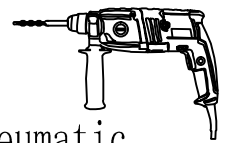
Tool



Hammer



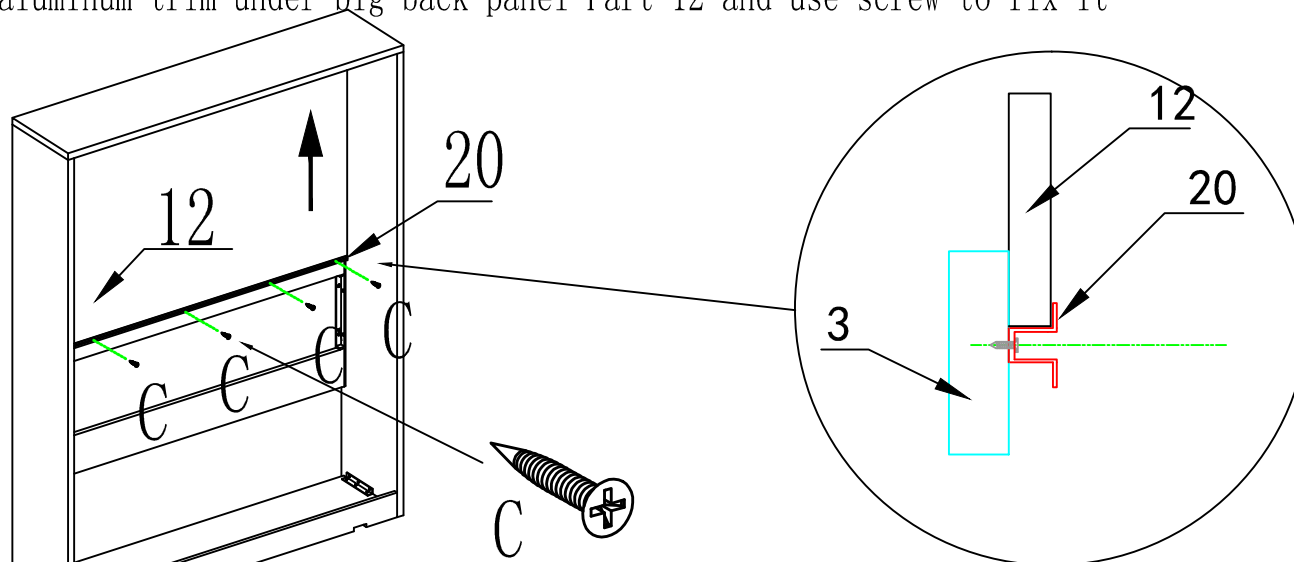
Adjustable wrench



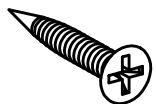
Pneumatic drilling machine

8

1. Open the cap of aluminum trim
2. Big back panel Part 12 insert to the groove of top panel
3. Press the aluminum trim under big back panel Part 12 and use screw to fix it

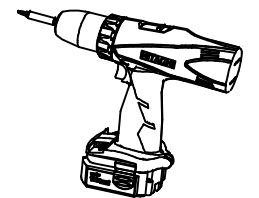


Cx4 pcs



ST4*16

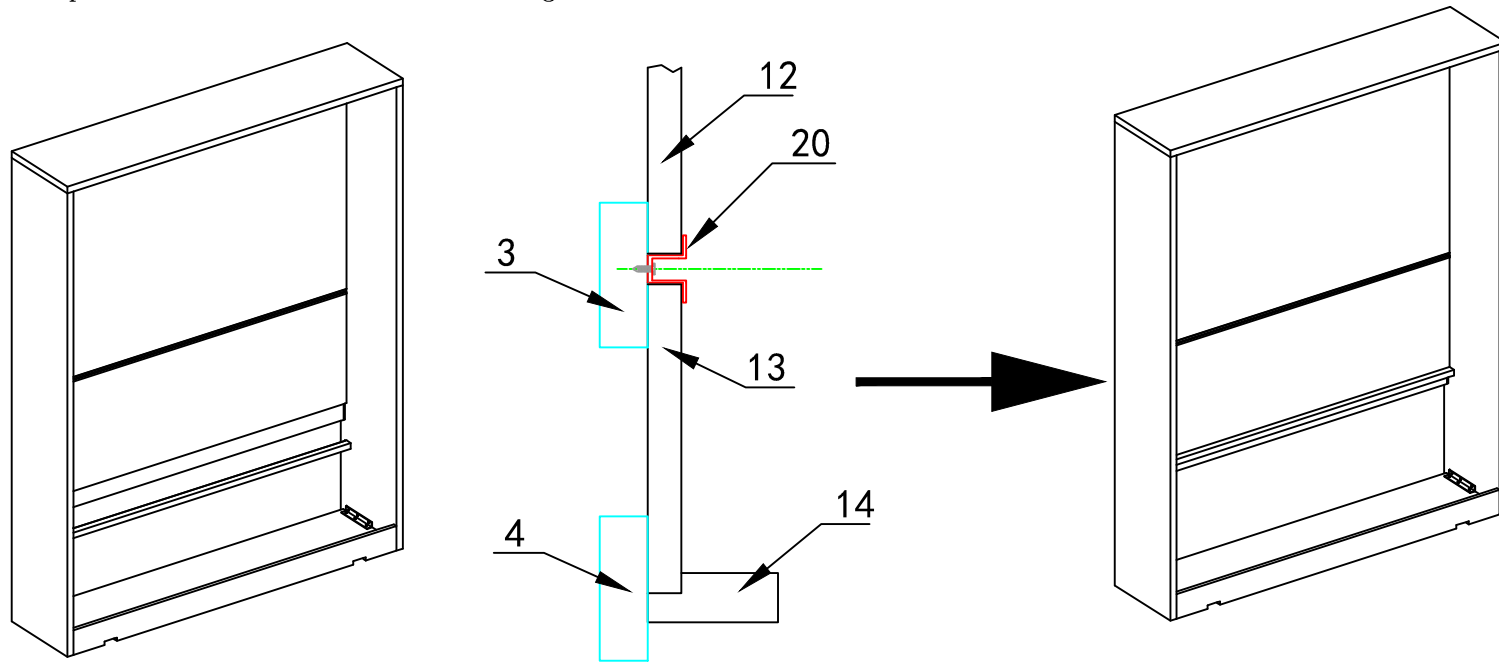
Tool



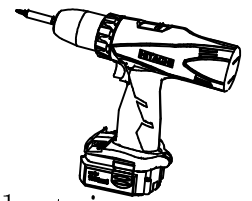
Electric drilling machine

9

Use back panel Part 13 insert to the groove under aluminium trim and use Part 14 to hold back panel Part 13



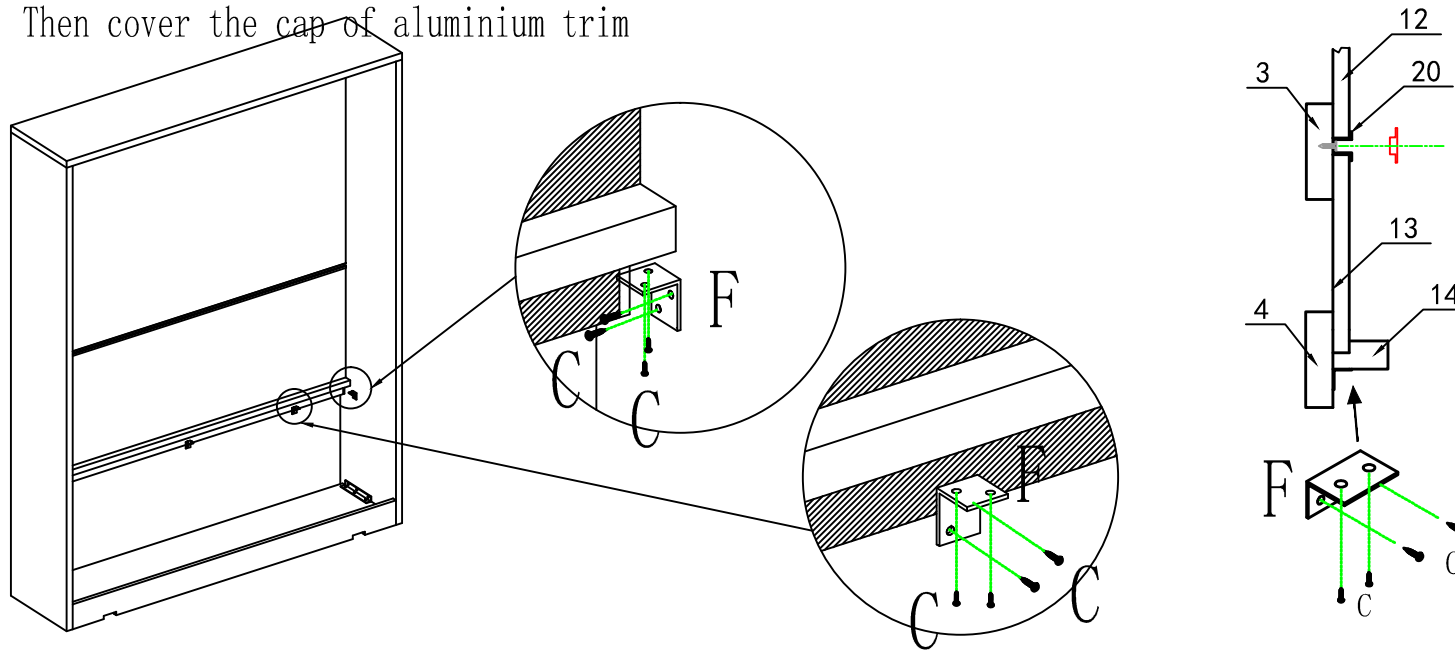
Tool



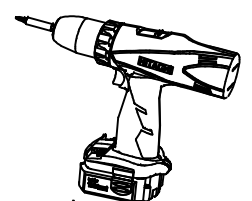
Electric drilling machine

10

Use Angle connector "F" to fix transverser baffle plate Part 14 on back brace panel Part 4 with self-tapping screw. Then cover the cap of aluminium trim

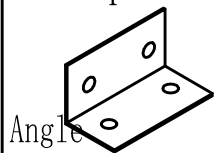


Tool



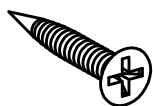
Electric drilling machine

Fx4 pcs



Angle Connectors

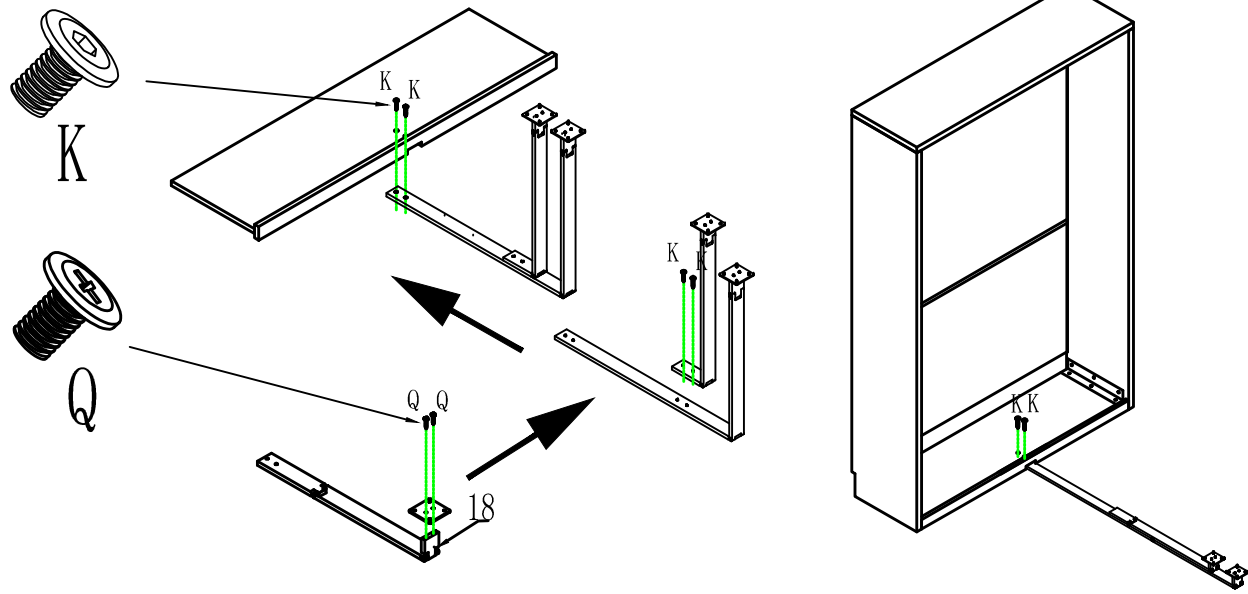
Cx16 pcs




ST4*16

11

1. Use Snap spring " R " and Philip's head screw " Q " to connect the folding aluminum foot Part 18
- 2 . Insert the both folding aluminum foot Part 18 to each hole on bottom panel and fix with screw




Qx4 pcs



M6*16 /M6*10 Philip's Head Screw

Kx4 pcs



M8*35 Hex head screw

Tool

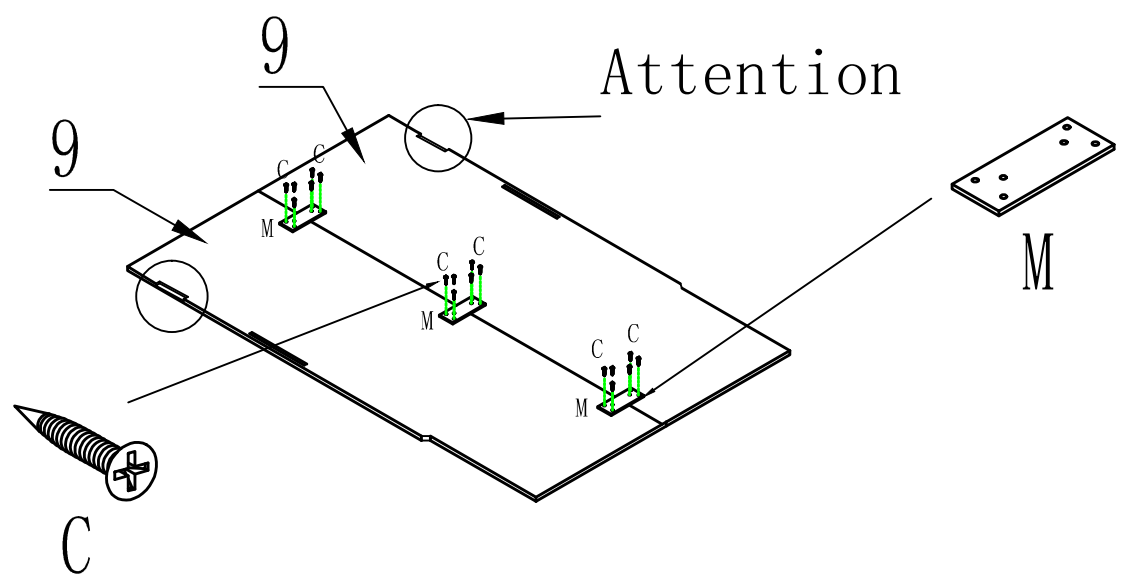


M8 internal hexagonal wrench

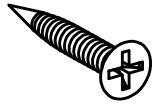


Electric drilling machine

12

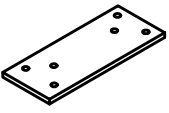


Cx18 pcs



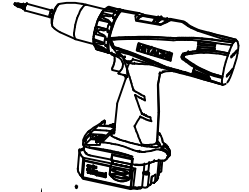
ST4*16

Mx3 pcs



Level Connectors

Tool

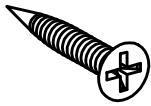


Electric drilling machine

13

Open the cap and lock the screws inside

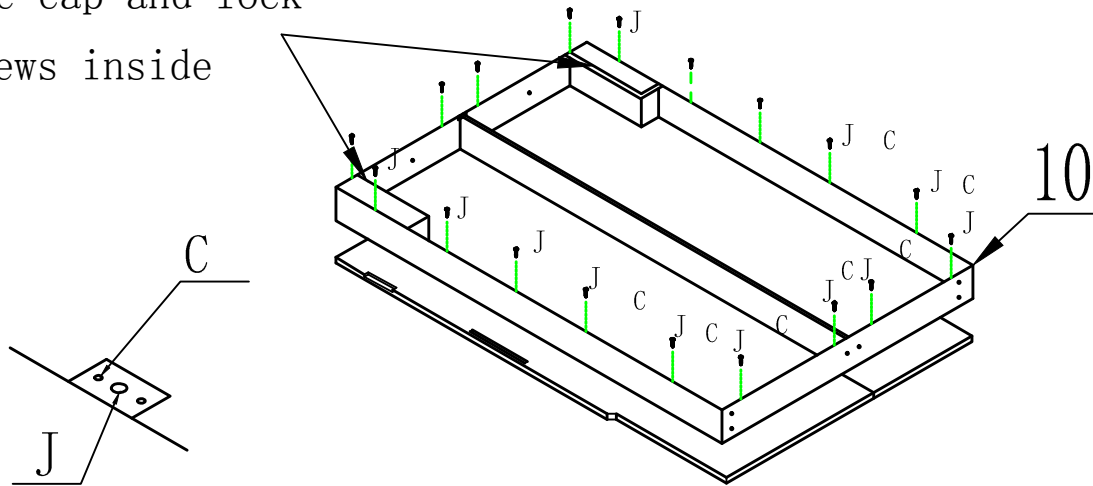
Cx28 pcs



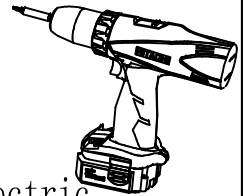
ST4*16

Jx28 pcs

M6*16
Round head self tapping



Tool

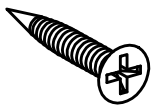


Electric drilling machine

14

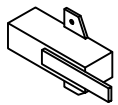
Positor away from edge of side board 20mm

Lx4 pcs



ST4*20

Gx2 pcs



Positioner

Hx10 pcs



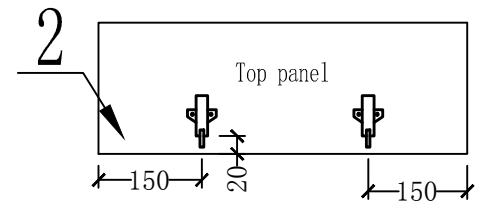
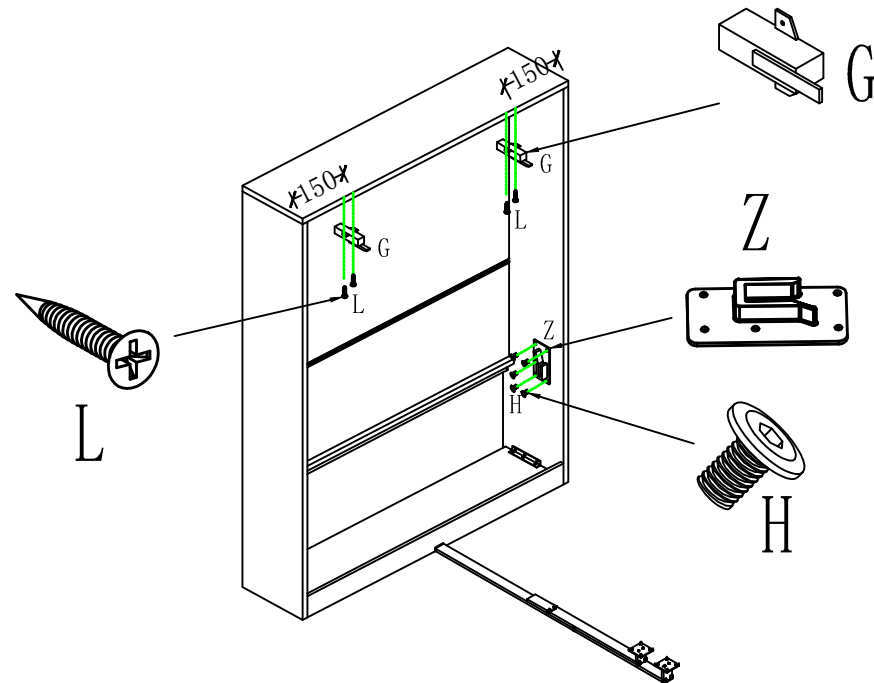
M8*20

Hex head screw

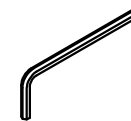
Zx2 pcs



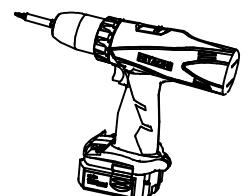
Limit iron



Tool

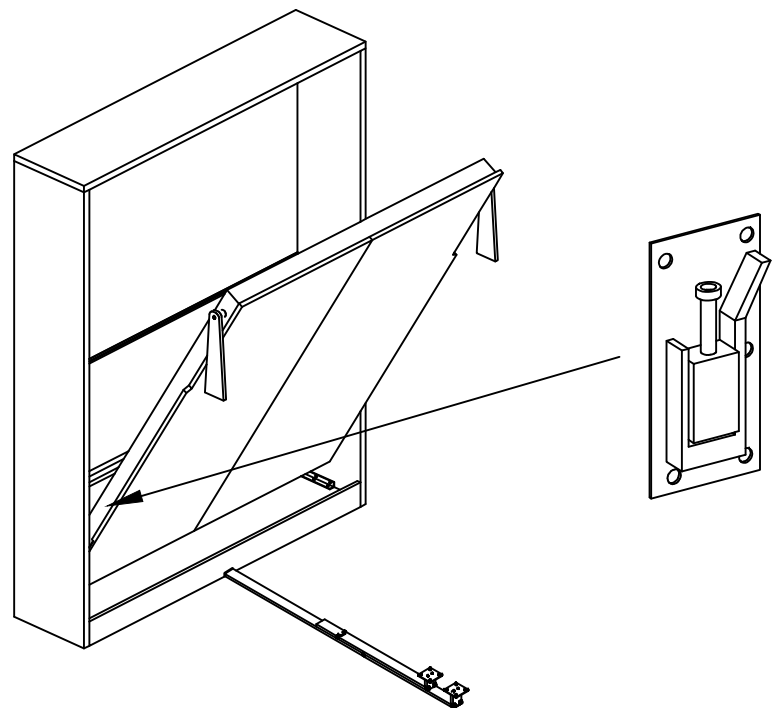
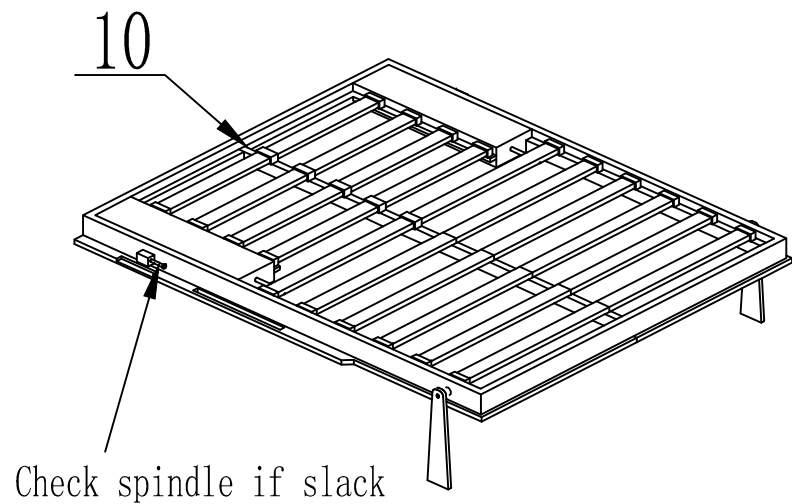


M8 internal hexagonal wrench

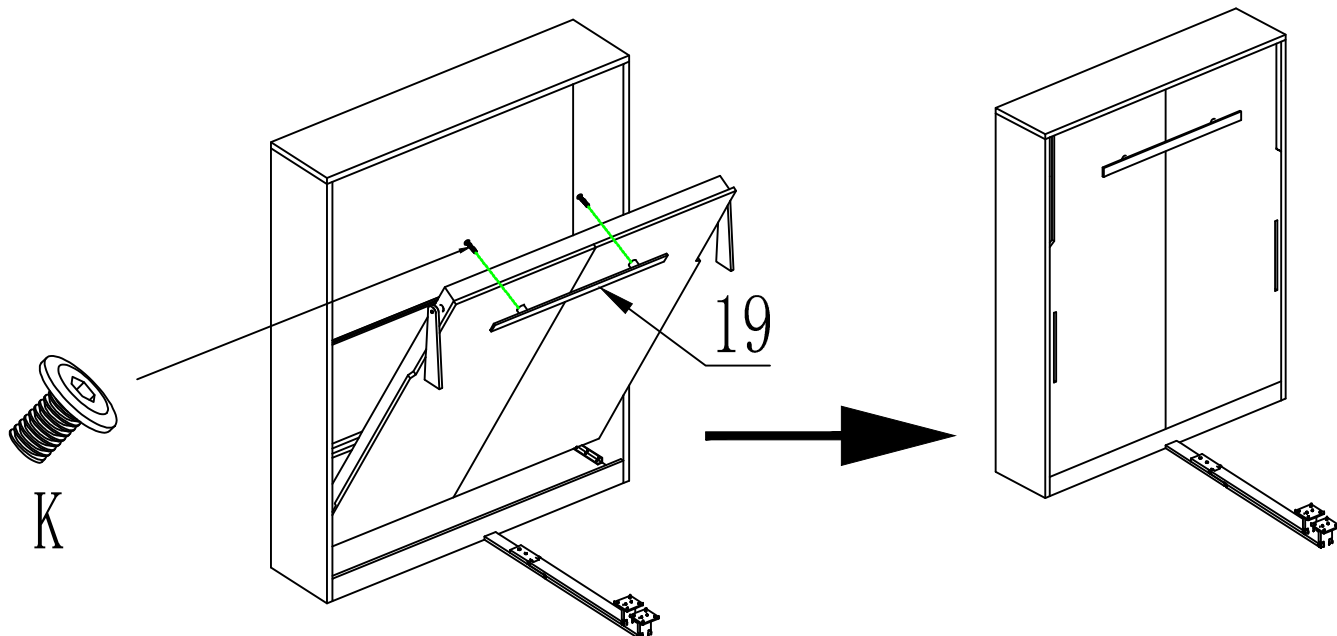


Electric drilling machine

15



16



Kx2 pcs
M8*35
Hex head screw

This block contains the specifications for the screws used in step 16. It lists 'Kx2 pcs', 'M8*35', and 'Hex head screw'. An illustration of a hex head screw is shown below the text.

Tool
M8 internal
hexagonal wrench

This block identifies the tool required for step 16. It lists 'Tool', 'M8 internal', and 'hexagonal wrench'. An illustration of an M8 internal hexagonal wrench is shown below the text.

17

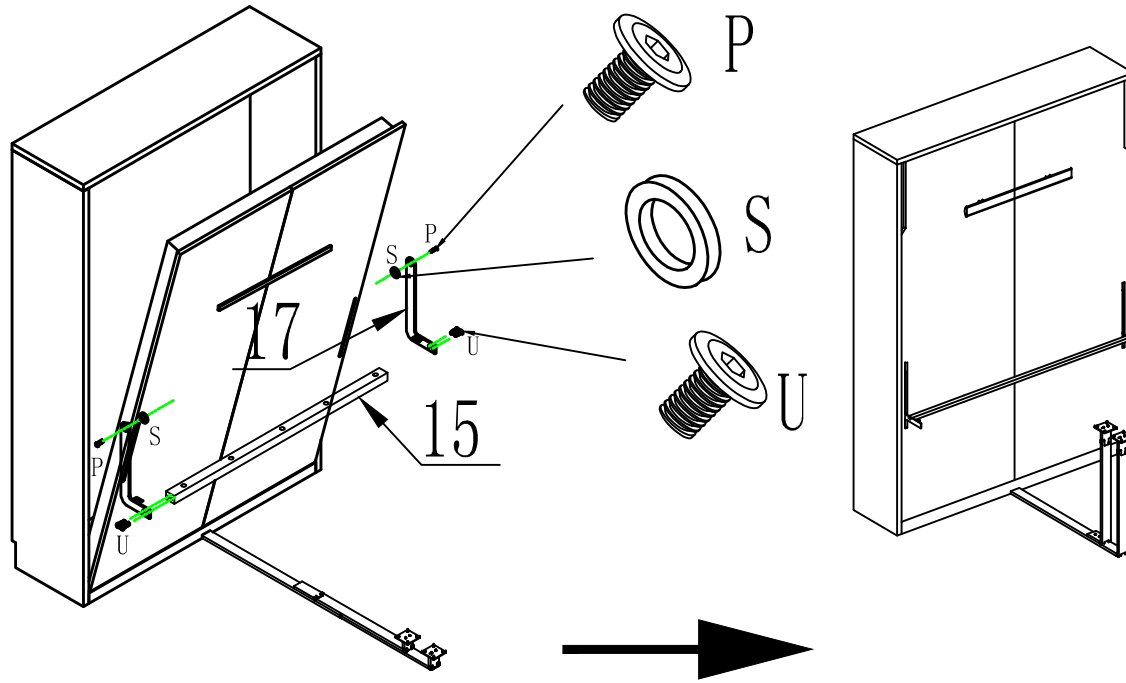
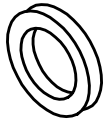
Ux4 pcs
M6*20
Hex head screw



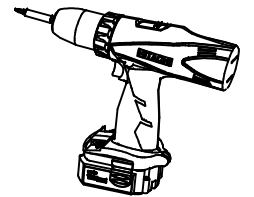
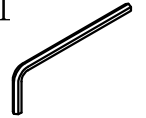
Px2 pcs
M8*12
Hex head screw



Sx2 pcs
M8 Washer

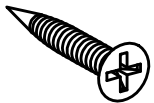


Tool
M8 internal hexagonal wrench
Electric drilling machine

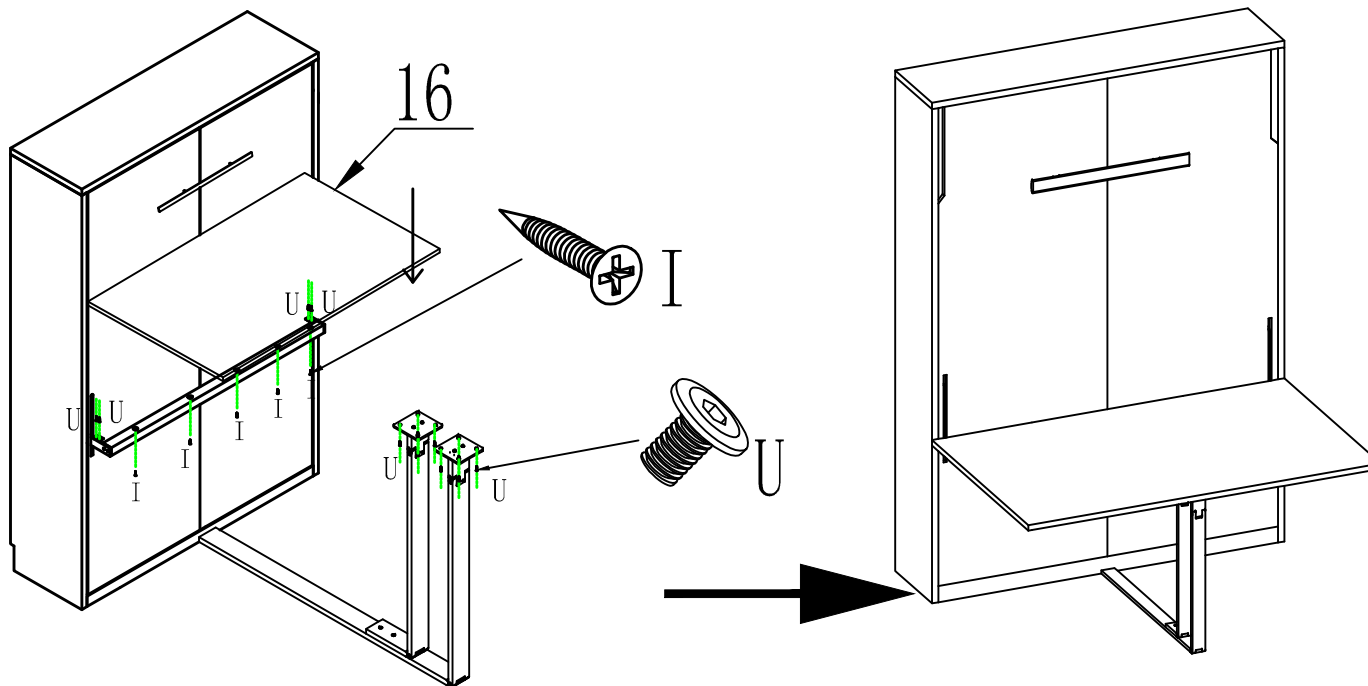


18

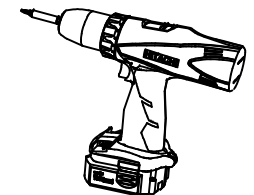
Ix5 pcs
ST4*35



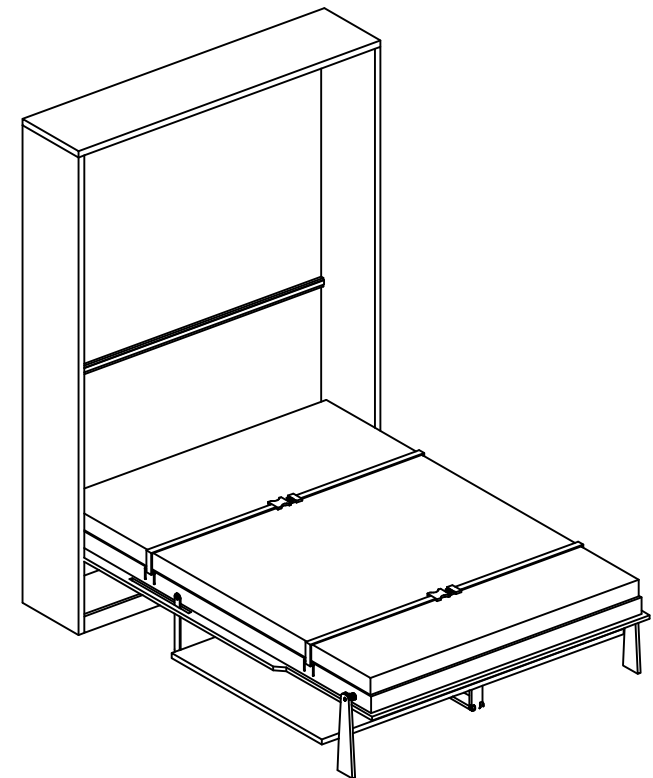
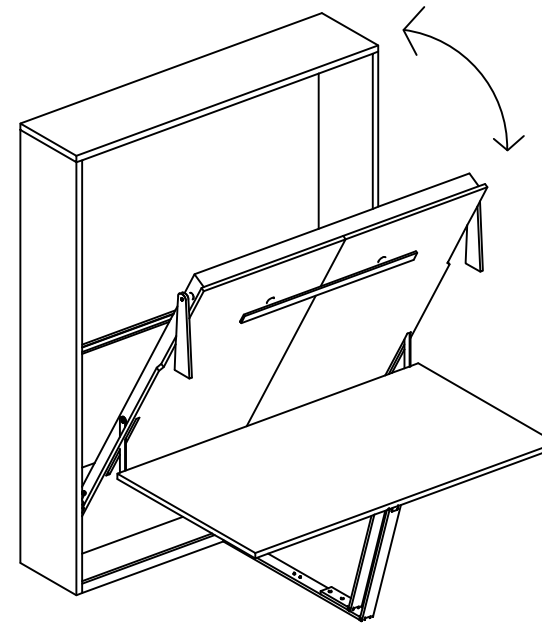
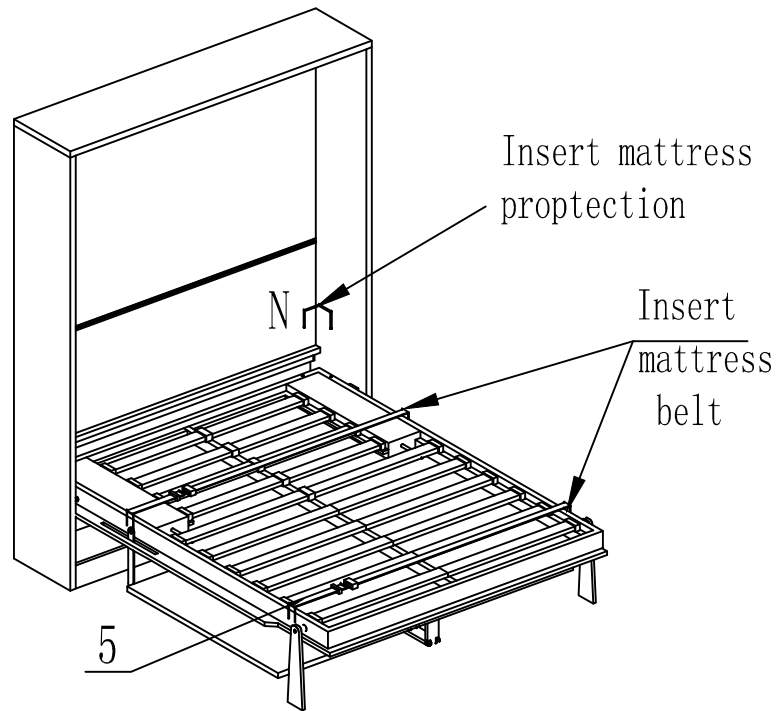
Ux12 pcs
M6*20
Hex head screw



Tool
Electric drilling machine



19



Done

Nx2 pcs



20

Adjustment Introductions

1. Wall bed Gap adjustment

This bed needs to flip up and down, for around the general will be reserved for about 1cm gap to facilitate the use, the diagonal size needs to be corrected before the bed is connected to the wall.



If the left and right gap size uneven, please check the diagonal size of bed frame first, if the diagonal size is right, please adjust the screw clockwise of the smaller gap side , back and forth debugging to the best of the situation



21

2. Wall bed Spring adjustment

After installing the wall bed, we need to debug spring function device. Close the bed into the angle of 30° , with a wrench to adjust the nut on the screw (Note: clockwise twist tighten the spring tension, counterclockwise twist to loose spring tension), the screw exposed length is about 60-80MM (that is the distance from the top of the nut to the screw).

The correct spring situation is the bed can stop in the open angle of 30° , the bedstead would not appear to rebound after landing, back and forth debugging to the best of the situation.

